

LOCKERS

Specifications: Section 10500

Part 1 - General

1.01 **Qualifications**

Qualifications of alternative products will be evaluated only if they are submitted with supporting documents to show that they are equal to or better than these specification standards.

1.02 **Chemical Safety**

All materials are completely asbestos free. The paint used shall be a powder coating completely free of all lead and chromate.

1.03 **Warranty**

Hadrian's Slope Top is warranted for a period of two years against defective parts and workmanship, excluding vandalism and improper installation.

Part 2 - Products

2.01 **Materials**

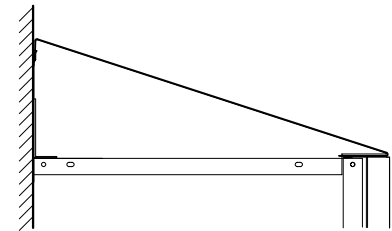
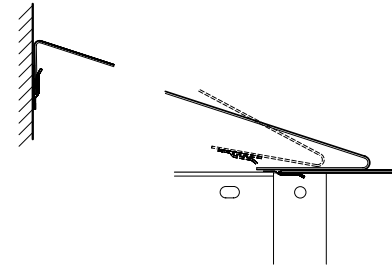
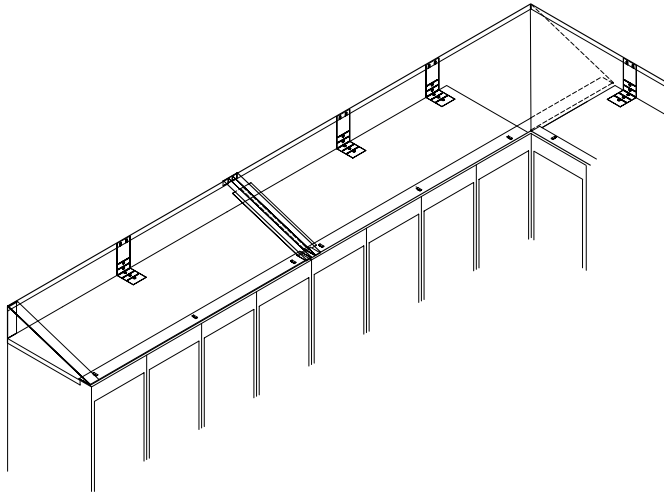
Slope Tops shall be made of 20 gauge mild cold rolled sheet steel free from surface imperfections and contaminants that would be detrimental to the acceptance of a high grade hybrid epoxy polyester powder finish. Slope Tops are also available in 16 gauge material. At a slight extra cost, locker parts may be made from galvalume steel. The universal support pieces for Slope Tops shall be made from 20 gauge galvalume steel.

Slope Top locker accessories

Sloping Top is an attractive finishing item for Emperor or Gladiator lockers. Powder coated to match the finish of the locker frames, it presents an attractive and consistent appearance. The angle of the sloping top prevents the accumulation of dust and discourages users from stacking unsightly clutter above the locker.

hadrian
toilet partitions and lockers

www.hadrian-inc.com



Slope Top Height for various Locker Depths

12" (305mm) deep Lockers / Slope Top is 4" (102mm) high

15" (380mm) deep Lockers / Slope Top is 5" (127mm) high

18" (457mm) deep Lockers / Slope Top is 6" (152mm) high

21" (535mm) deep Lockers / Slope Top is 7" (178mm) high

24" (610mm) deep Lockers / Slope Top is 8" (203mm) high