

hadrian®

LOCKER PEDESTAL INSTALLATION GUIDE



Aug 24, 2020

Table of Contents	Page
Tools Required and Recommended Safety Equipment_____	1
Single Pedestal with Bench Installation_____	2 - 9
Appendix A: Corner Installation_____	10
Appendix B: Double Pedestal with Bench Installation_____	11-14
Appendix C: Pedestal without Bench_____	15
Appendix D: Pedestal without Bench Corner Installation_____	16

Tools Required

4-ft level

Chalk line

Tape measure

Raftler Square

Hammer

Drill

Hammer drill

1/4" masonry bit

Hacksaw

Wood saw

6-lobe security driver bit

Allen/Hex head driver bits 7/64" and 9/64"

Recommended Safety Equipment

Safety Glasses



Safety Gloves



Safety Shoes



Hard Hat

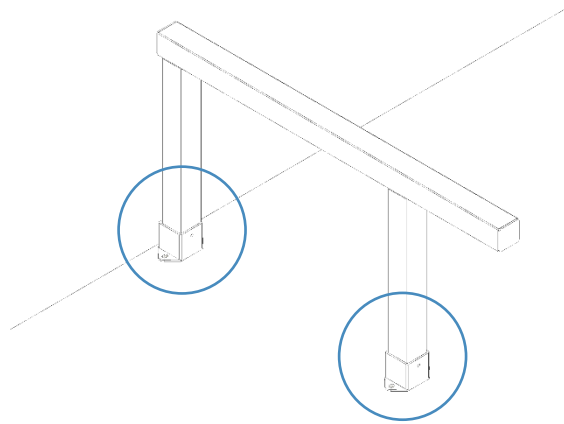


Hadrian reserves the right to improve or modify its material and specifications at any time in such a manner as it may consider necessary or advisable, and to discontinue the manufacture and sale of any products, without notice.

Step 1

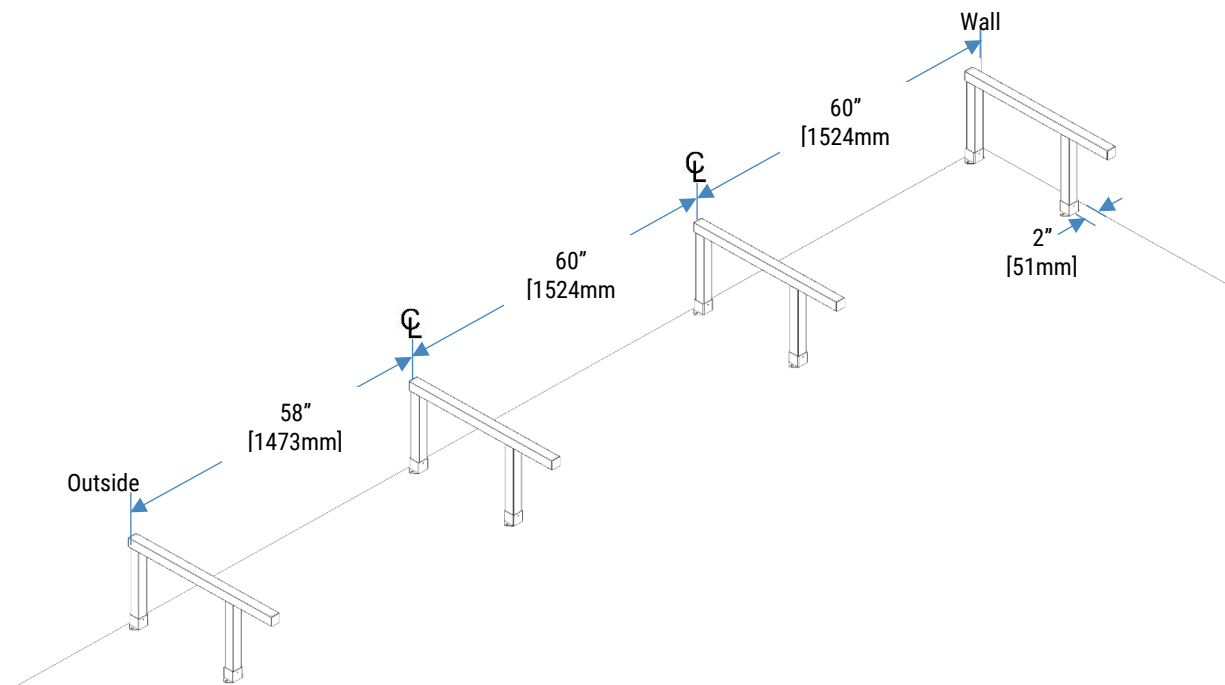
Slide chrome shoe over pedestal legs. The legs of the shoe should be positioned so they are parallel to the back wall and the set screw is facing away from the wall.

2 x Panel Post Shoe Chrome (Part #604410)



Step 2

Locate position of the pedestals as per shop drawings. Pedestals are to be spaced 60" apart or as listed on layout drawing. Pedestals off a wall are to be spaced 2" from the wall. End pedestals to be spaced 2" in from support tubes.



Hadrian reserves the right to improve or modify its material and specifications at any time in such a manner as it may consider necessary or advisable, and to discontinue the manufacture and sale of any products, without notice.

Step 3

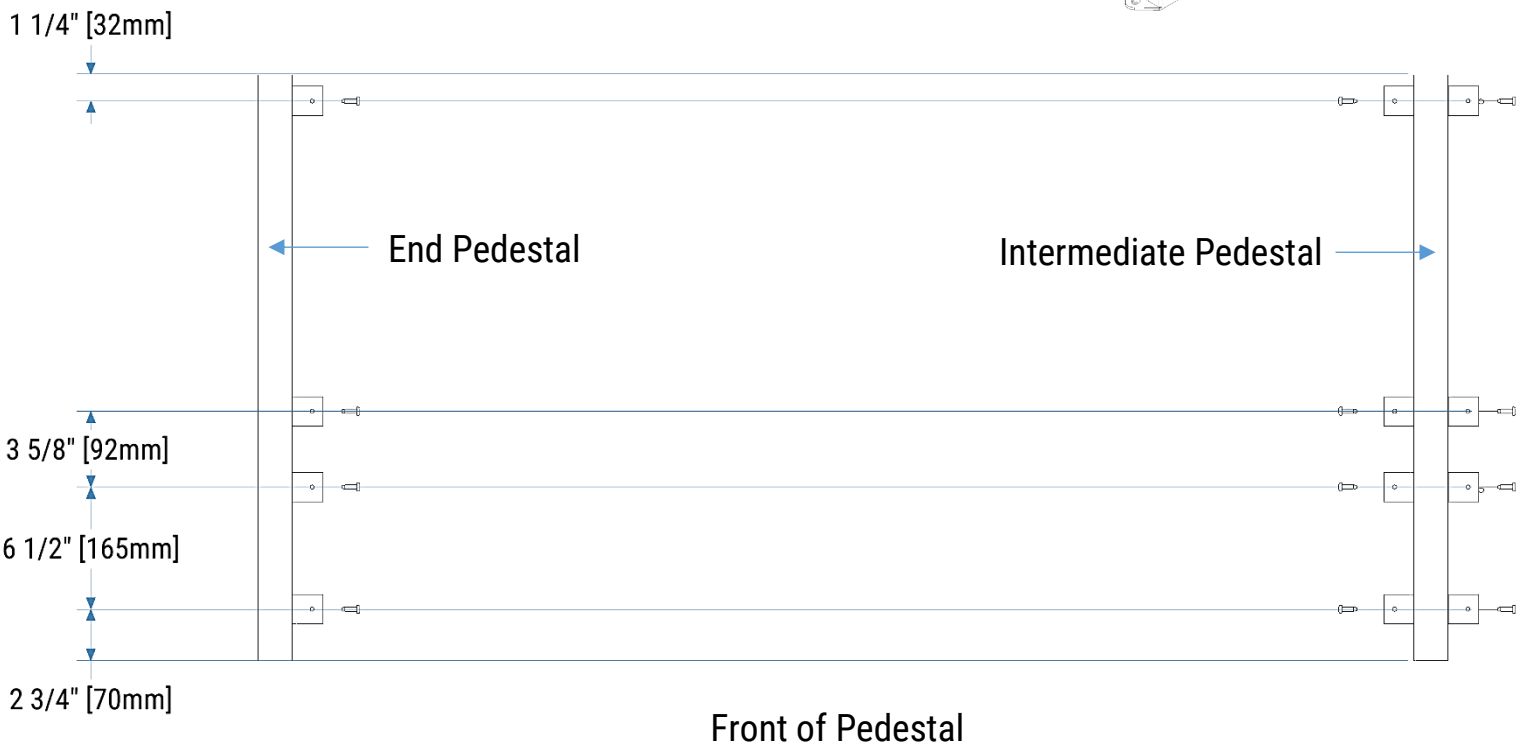
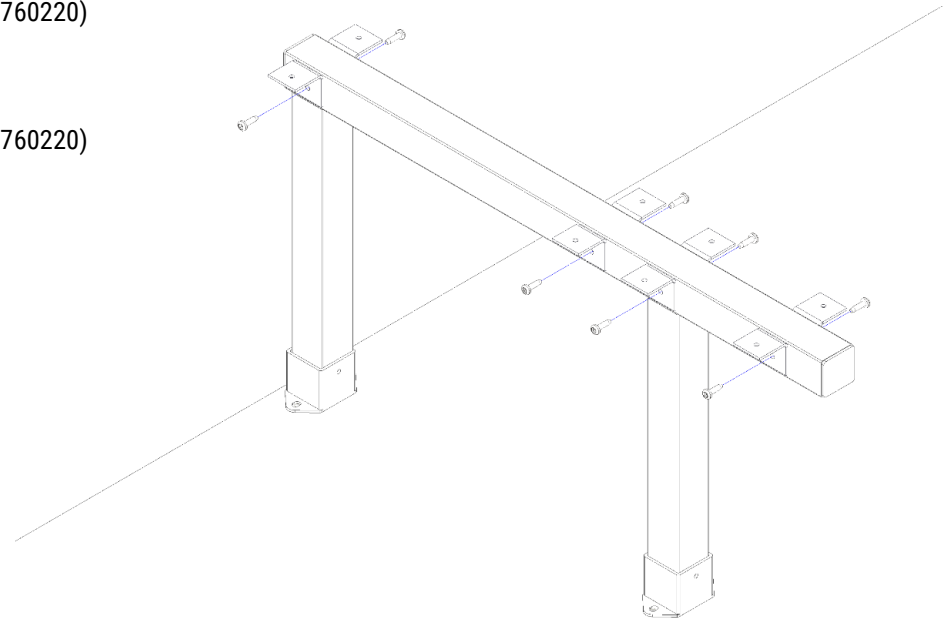
Measure L bracket locations and fasten to pedestal. L brackets are to be flush with top of pedestal.

End Pedestal

- 4 x L Bracket (Part #760215)
- 4 x Self-Drill Screw #12-14 x 3/4" (Part #760220)

Intermediate Pedestal

- 8 x L Bracket (Part #760215)
- 8 x Self-Drill Screw #12-14 x 3/4" (Part #760220)



Hadrian reserves the right to improve or modify its material and specifications at any time in such a manner as it may consider necessary or advisable, and to discontinue the manufacture and sale of any products, without notice.

Step 4

Lay the horizontal 60" support tubing on pedestals and fasten to L brackets with self-drill screws provided. As per step 3, ensure end pedestal are 2" in from the support tubes and 2" in from the wall.

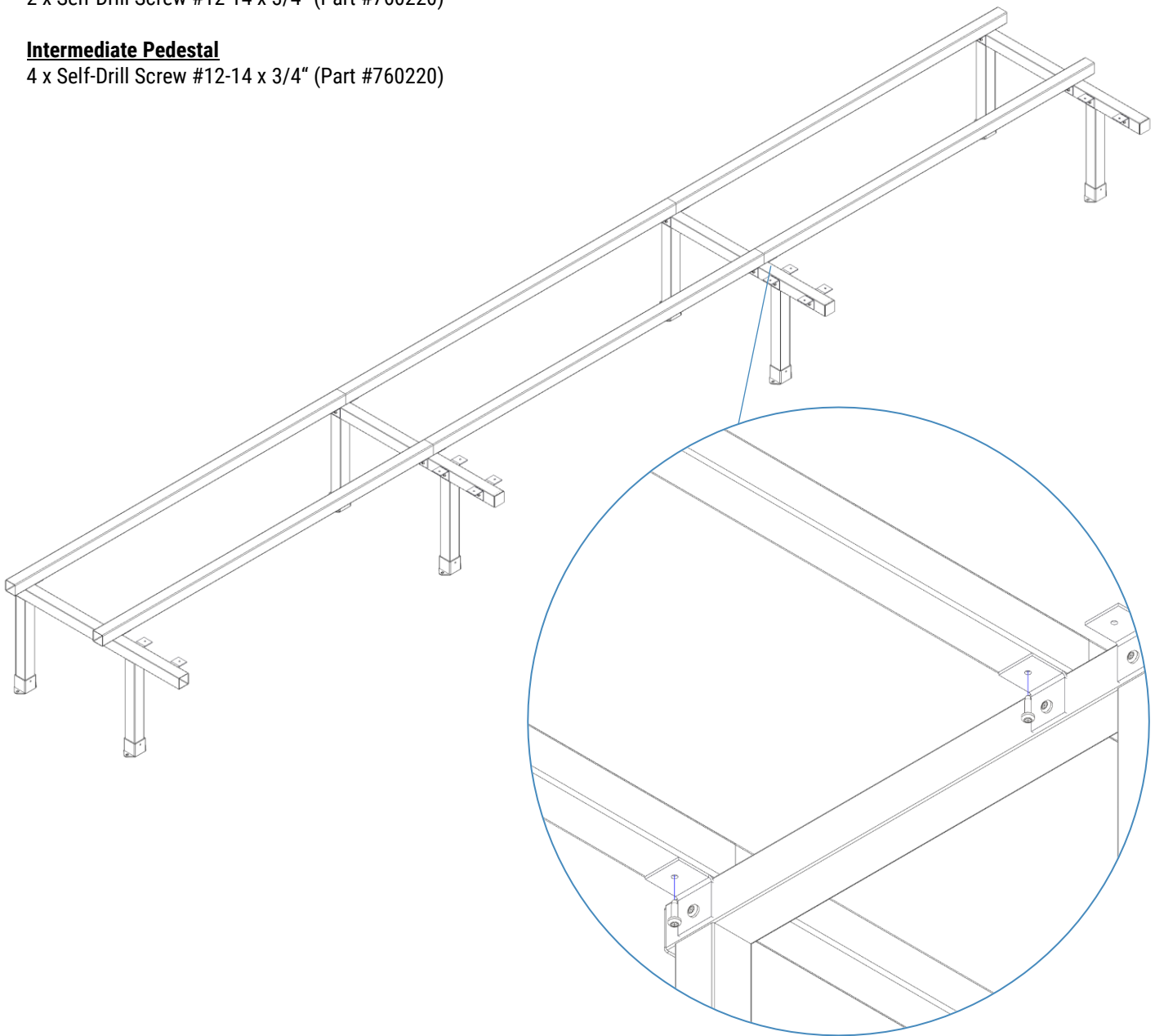
If support tubing needs to be cut to length, cut with metal saw and deburr rough edge.

End Pedestal

2 x Self-Drill Screw #12-14 x 3/4" (Part #760220)

Intermediate Pedestal

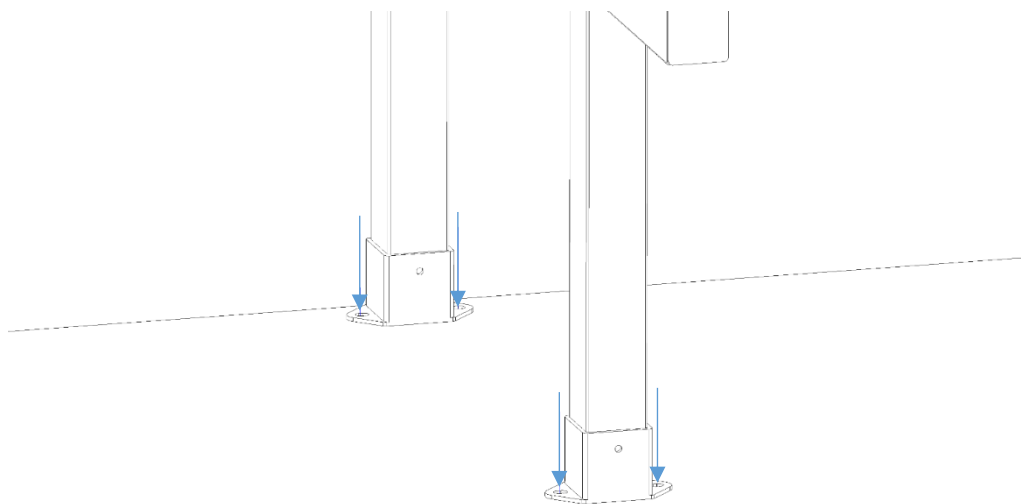
4 x Self-Drill Screw #12-14 x 3/4" (Part #760220)



Hadrian reserves the right to improve or modify its material and specifications at any time in such a manner as it may consider necessary or advisable, and to discontinue the manufacture and sale of any products, without notice.

Step 5

Set pedestal assembly in place. Mark hole locations on the floor at each chrome pedestal shoe.

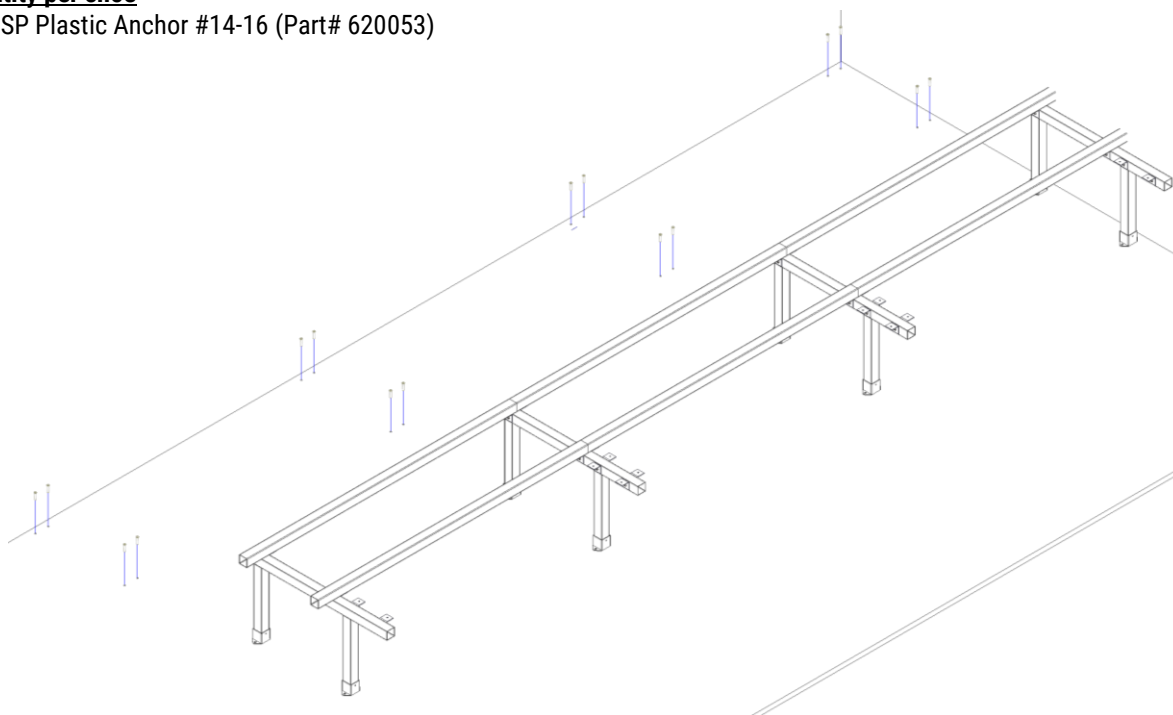


Step 6

Move pedestal assembly out of the way, drill 1/4" holes and insert plastic anchors.

Quantity per shoe

2x – SP Plastic Anchor #14-16 (Part# 620053)



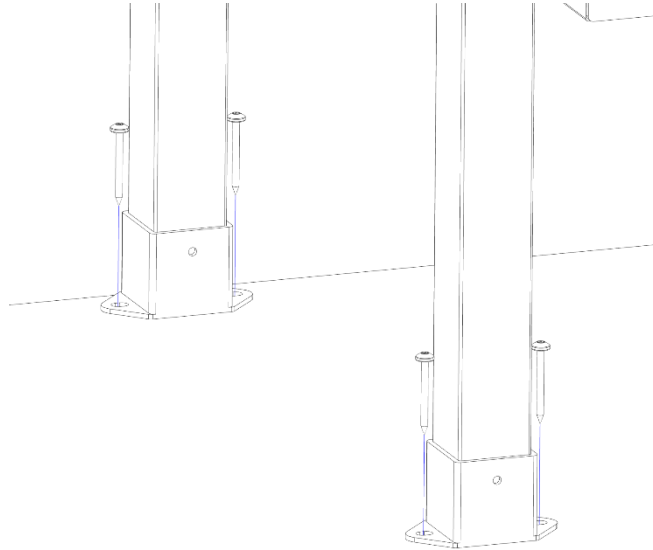
Hadrian reserves the right to improve or modify its material and specifications at any time in such a manner as it may consider necessary or advisable, and to discontinue the manufacture and sale of any products, without notice.

Step 7

Move pedestal system back into position and fasten pedestal shoes to the floor.

Quantity per shoe

2x – SP 14 x 13/4" Screw - 6 Lobe SS (Part# 620052)

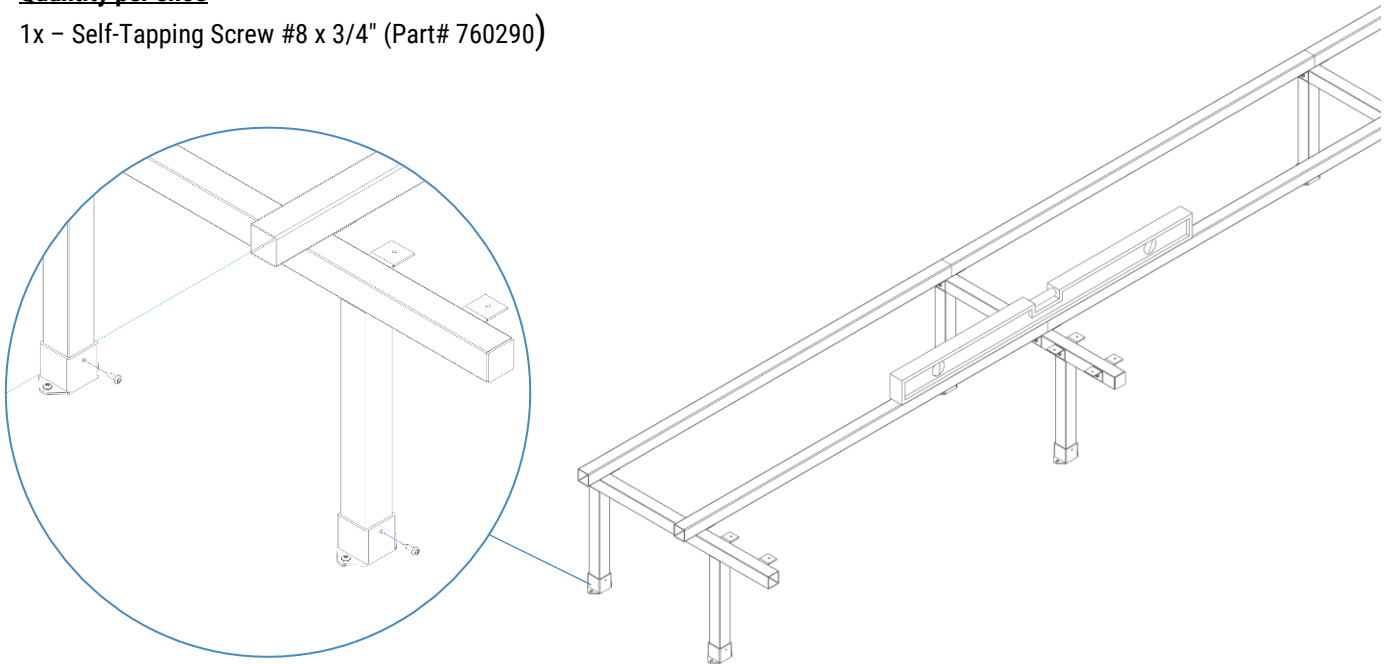


Step 8

Remove the set screw from the shoes. Ensure support tubes are flush when joining on a pedestal by using shims inside the shoe. Once flush, fasten the shoe to the pedestal legs with the bellow self-tapping screw.

Quantity per shoe

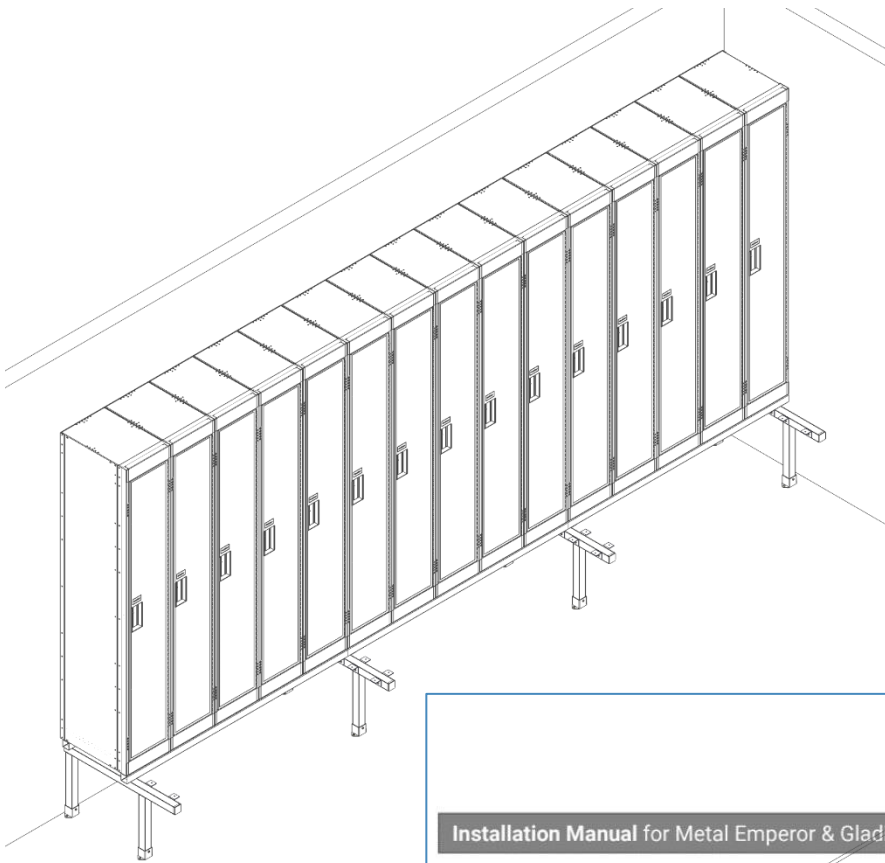
1x – Self-Tapping Screw #8 x 3/4" (Part# 760290)




Hadrian reserves the right to improve or modify its material and specifications at any time in such a manner as it may consider necessary or advisable, and to discontinue the manufacture and sale of any products, without notice.

Step 9

Once all pedestal assemblies are secure, install lockers as per the locker installation instructions. Step 10 of the locker installation instructions (fasten lockers to wall) is critical to ensure the lockers stay in place on the pedestals.





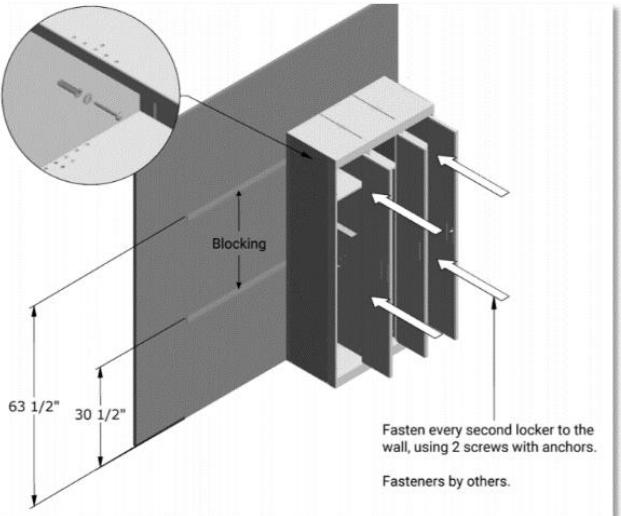
CLEVELAND · PHOENIX · TORONTO

Installation Manual for Metal Emperor & Gladiator Lockers

STEP 10: Fasten Lockers to Wall

Stand lockers up right and position against the wall. Fasten every second locker to the wall, using 2 screws with anchors. Dimensions shown is based on a 72" high locker.

Note: Blocking and fasteners by others.



Fasten every second locker to the wall, using 2 screws with anchors.
Fasteners by others.

Hadrian reserves the right to improve or modify its material and specifications at any time in such a manner as it may consider necessary or advisable, and to discontinue the manufacture and sale of any products, without notice.

Step 10

Fasten wood benches to L brackets with below wood screw.

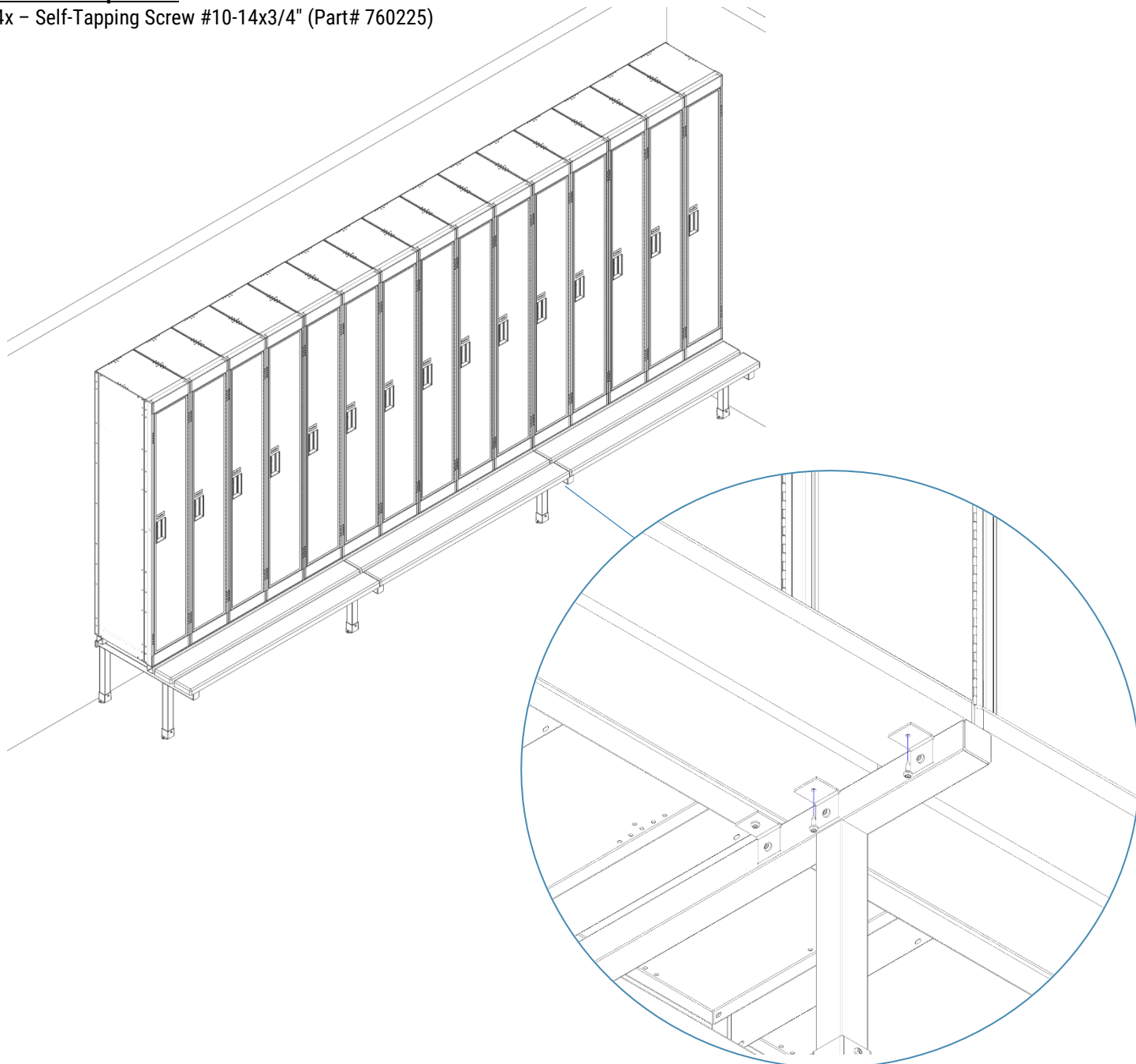
If wood benches need to be cut to length, cut with wood saw and sand edges smooth.

End pedestal

2x - Self-Tapping Screw #10-14x3/4" (Part# 760225)

Intermediate pedestal

4x - Self-Tapping Screw #10-14x3/4" (Part# 760225)



Hadrian reserves the right to improve or modify its material and specifications at any time in such a manner as it may consider necessary or advisable, and to discontinue the manufacture and sale of any products, without notice.

Step 11

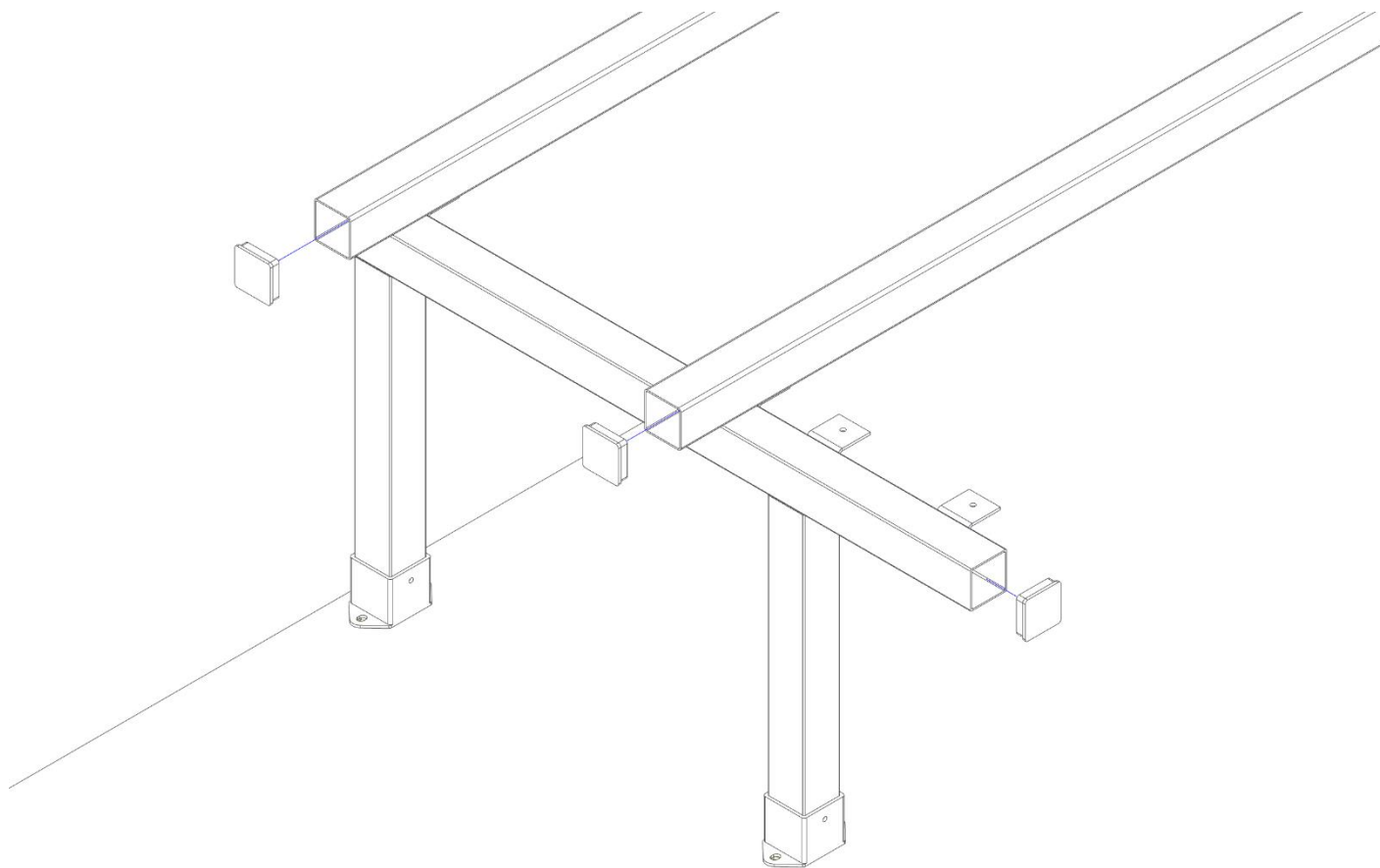
Insert plastic post caps into all open pedestal and tube ends (we recommend the use of silicone to prevent end caps from being removed.)

End pedestal

3x – Post Cap 1 3/4" (Part# 610075)

Intermediate pedestal

1x – Post Cap 1 3/4" (Part# 610075)



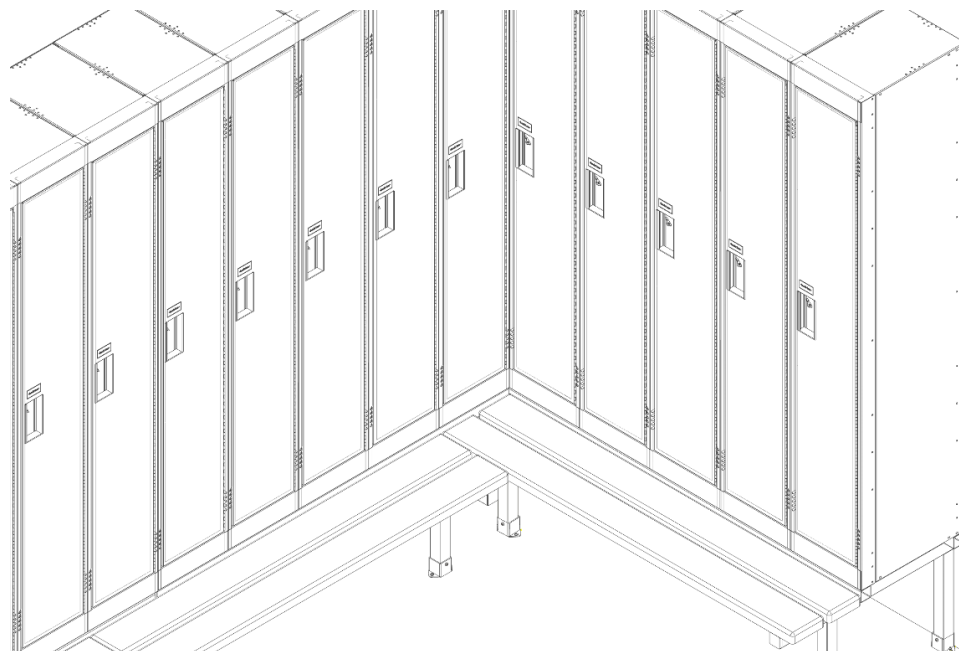
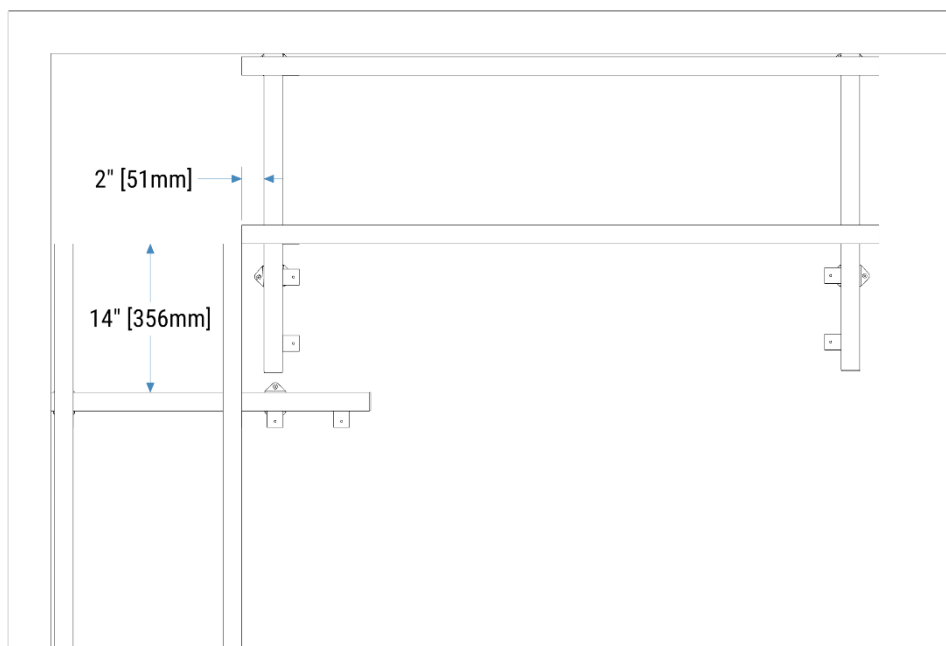
Hadrian reserves the right to improve or modify its material and specifications at any time in such a manner as it may consider necessary or advisable, and to discontinue the manufacture and sale of any products, without notice.

Appendix A – Corner Installation

Place and fasten pedestals, horizontal support tubes and benches as shown below.

If support tubes need to be cut to length, cut with metal saw and deburr rough edges.

If wood benches need to be cut to length, cut with wood saw and sand edges smooth.



Hadrian reserves the right to improve or modify its material and specifications at any time in such a manner as it may consider necessary or advisable, and to discontinue the manufacture and sale of any products, without notice.

Appendix B – Double Pedestal with Bench

Measure L bracket locations and fasten to pedestal. L brackets are to be flush with top of pedestal.

End Pedestal

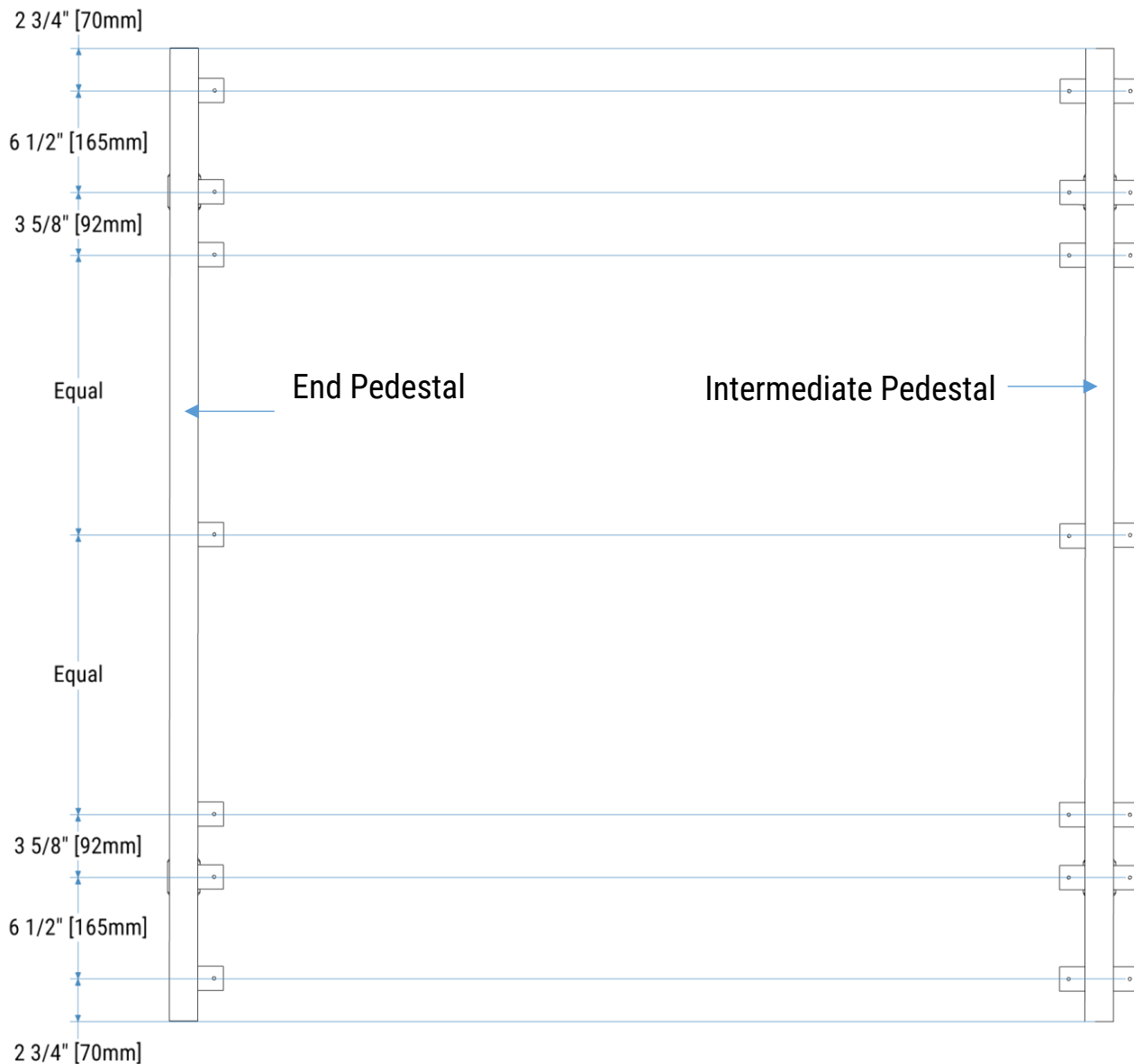
7x – L Bracket (Part# 760215)

7x – Self-Drill Screw #12-14 x 3/4" (Part# 760220)

Intermediate Pedestal

14x – L Bracket (Part# 760215)

14x – Self-Drill Screw #12-14 x 3/4" (Part# 760220)



Hadrian reserves the right to improve or modify its material and specifications at any time in such a manner as it may consider necessary or advisable, and to discontinue the manufacture and sale of any products, without notice.

Appendix B – Double Pedestal with Bench

Lay the horizontal 60" support tubing on pedestals and fasten to L brackets with self-drill screws provided. As per step 3, ensure end pedestals are 2" in from the support tubes and 2" in from the wall and repeat steps 5 to 8.

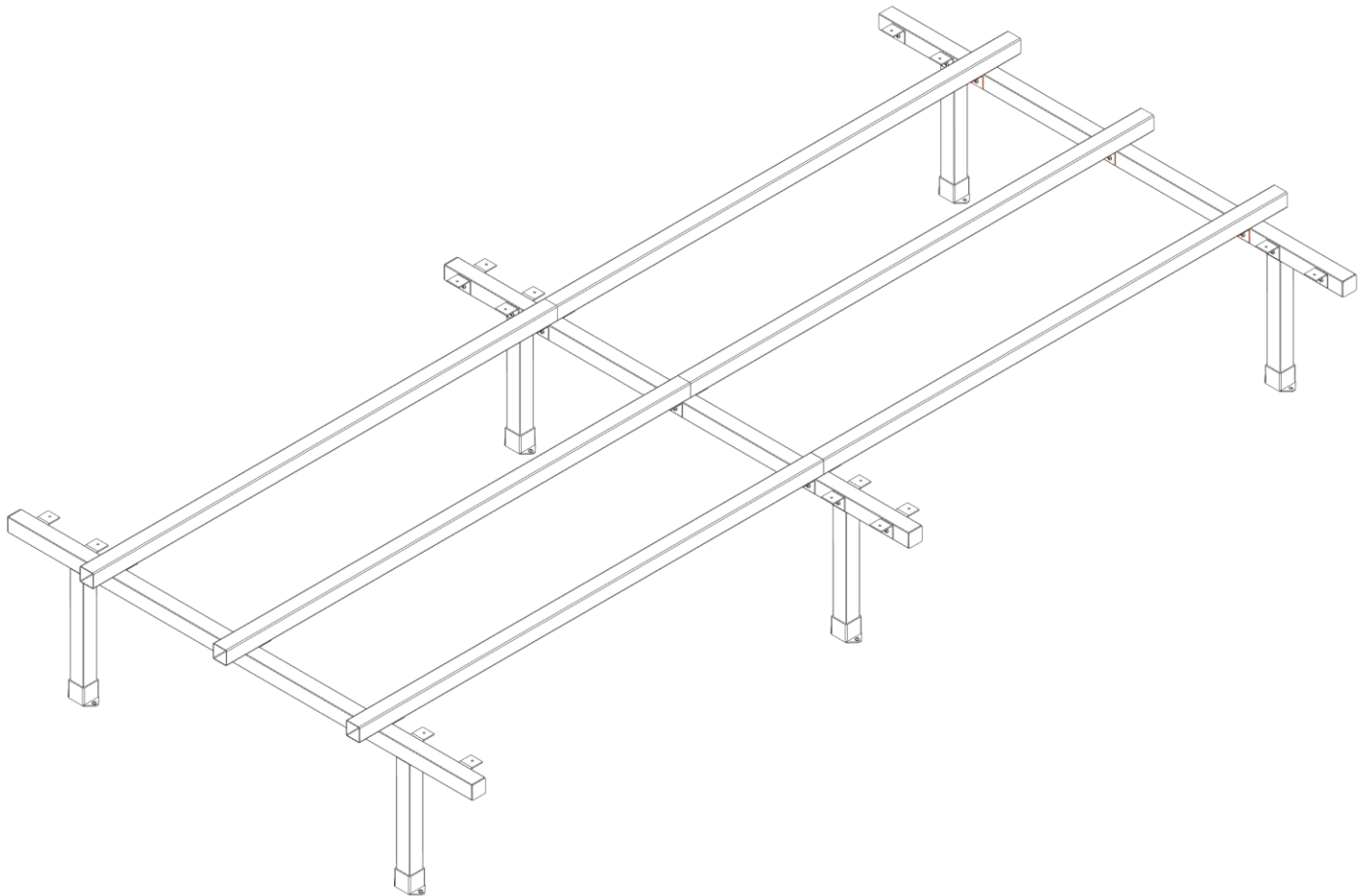
If support tubing needs to be cut to length, cut with metal saw and deburr rough edge.

End Pedestal

3x – Self-Drill Screw #12-14 x 3/4" (Part# 760220)

Intermediate Pedestal

6x – Self-Drill Screw #12-14 x 3/4" (Part# 760220)



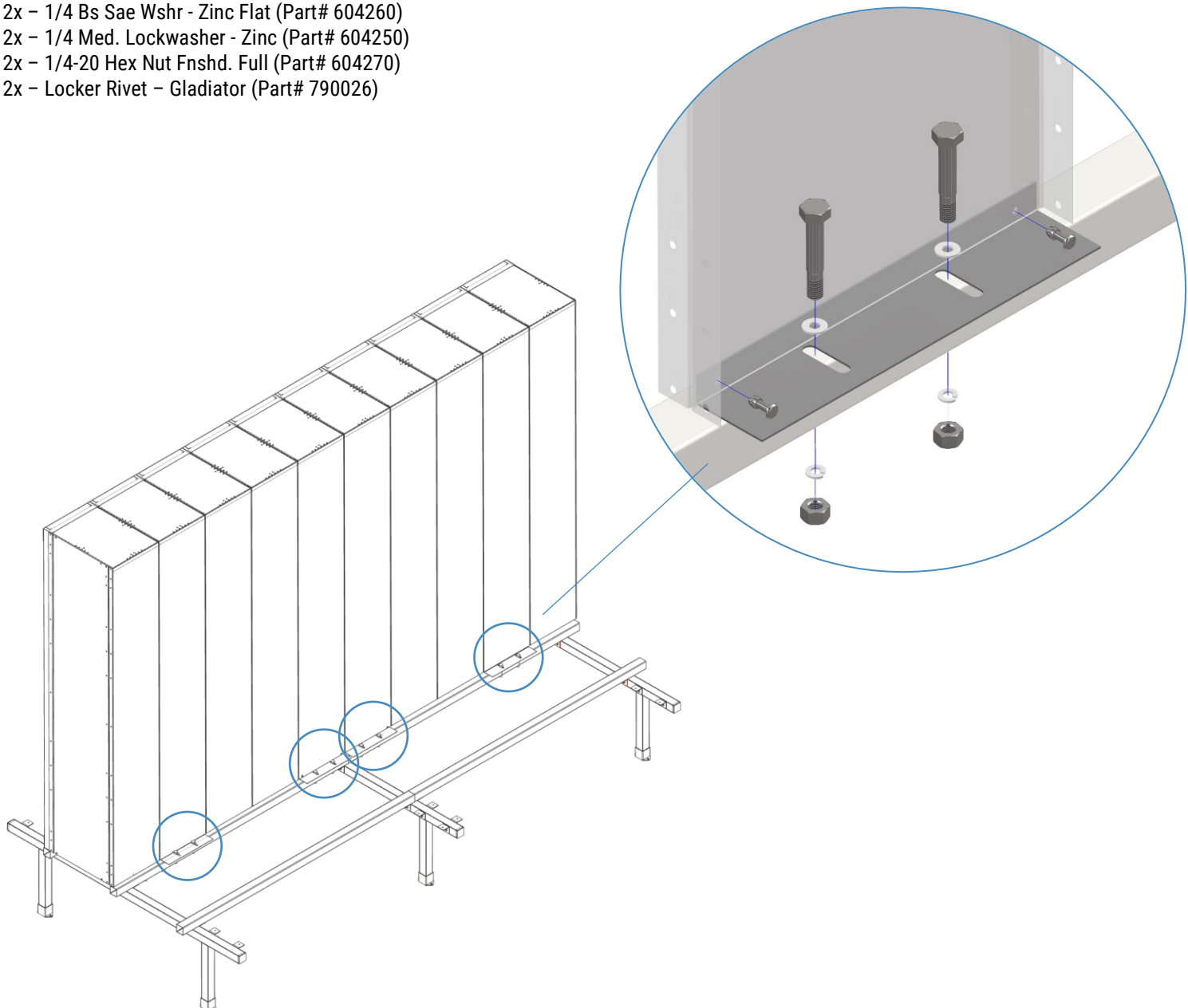
Hadrian reserves the right to improve or modify its material and specifications at any time in such a manner as it may consider necessary or advisable, and to discontinue the manufacture and sale of any products, without notice.

Appendix B – Double Pedestal with Bench

Place pedestal angle (at least one per bank of lockers). Mark and drill 2 5/32" holes through the middle support tube using the angle as a template. Fasten pedestal angle to support tube as shown below. Once all pedestal angles are secure, install lockers as per the locker installation instructions, place on pedestals. Drill and rivet through both locker backs, pedestal angle bracket and rivet together

Parts Per Pedestal Angle Bracket

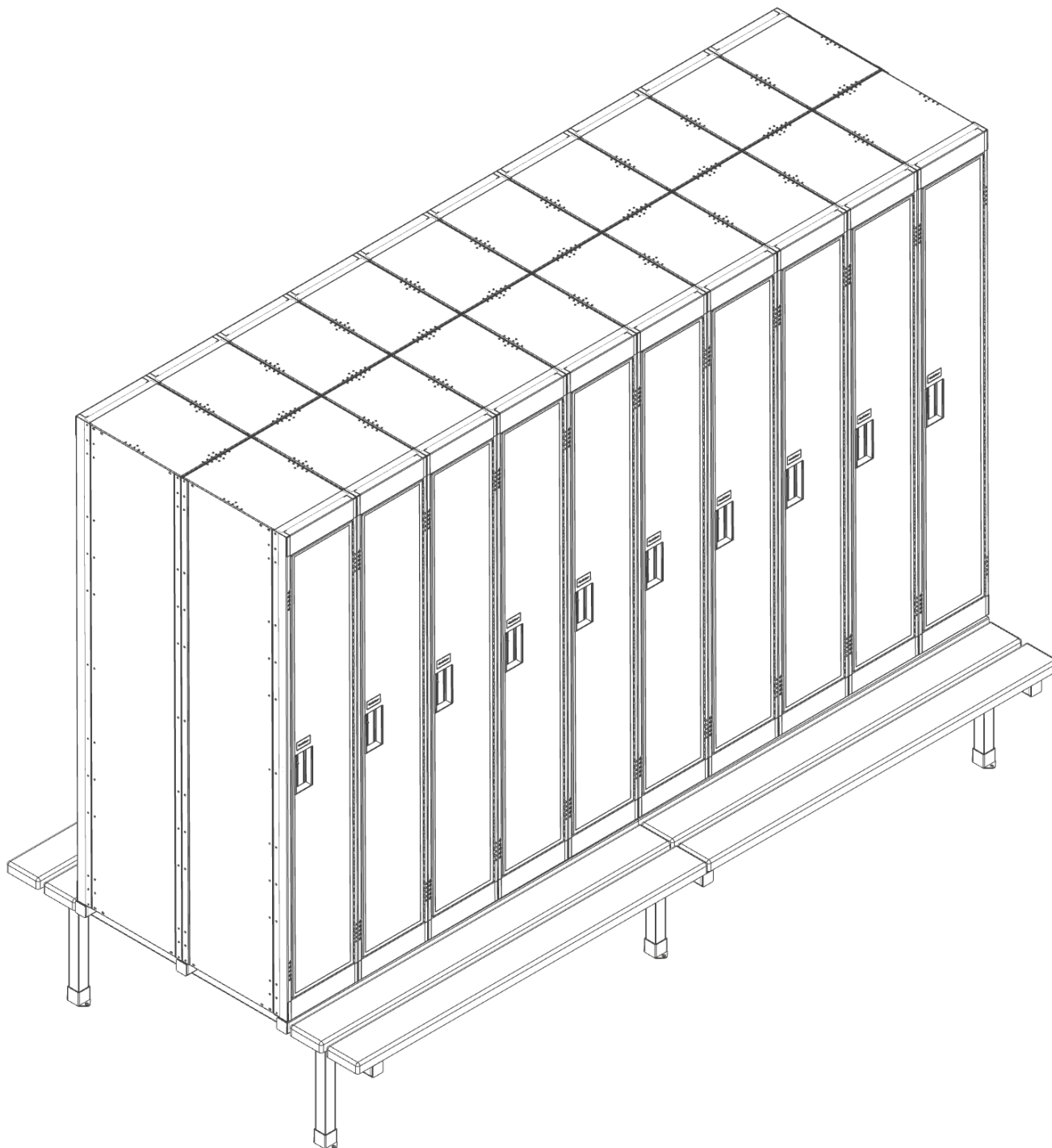
- 1x – Pedestal Angle Bracket 8" (Part# 760008)
- 2x – 1/4-20 x 2.50" Socket Head Screw (Part# 760280)
- 2x – 1/4 Bs Sae Wshr - Zinc Flat (Part# 604260)
- 2x – 1/4 Med. Lockwasher - Zinc (Part# 604250)
- 2x – 1/4-20 Hex Nut Fnshd. Full (Part# 604270)
- 2x – Locker Rivet – Gladiator (Part# 790026)



Hadrian reserves the right to improve or modify its material and specifications at any time in such a manner as it may consider necessary or advisable, and to discontinue the manufacture and sale of any products, without notice.

Appendix B – Double Pedestal with Bench

Once all the lockers are mounted to the pedestal angle brackets, complete steps 10 and 11 on pages 8 and 9.

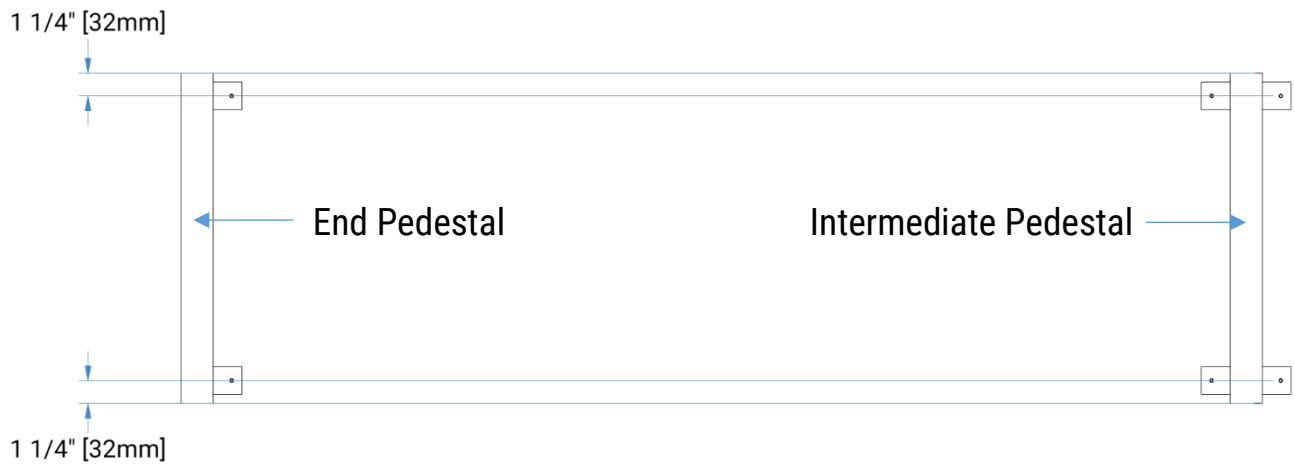


Hadrian reserves the right to improve or modify its material and specifications at any time in such a manner as it may consider necessary or advisable, and to discontinue the manufacture and sale of any products, without notice.

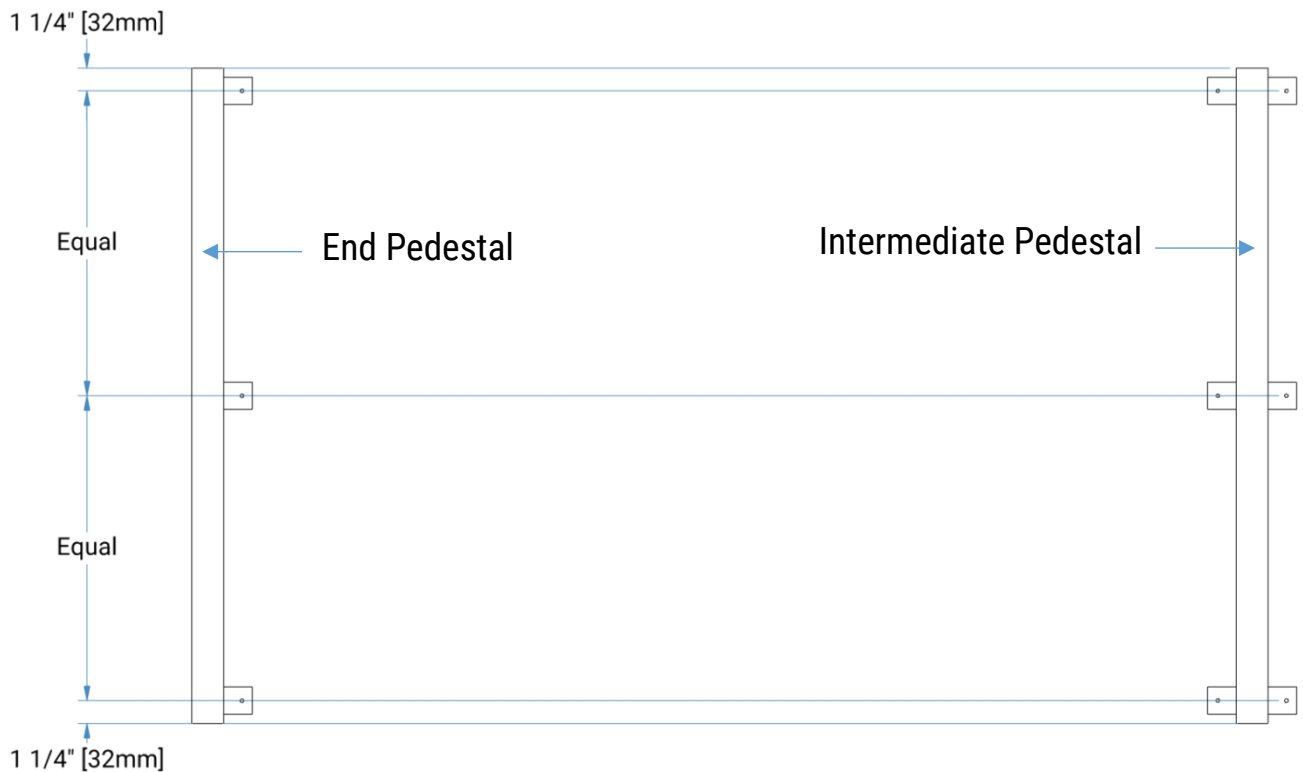
Appendix C – Pedestals without Bench

Follow steps 1 to 9 and follow the bellow L bracket locations.

Pedestal Single



Pedestal Double

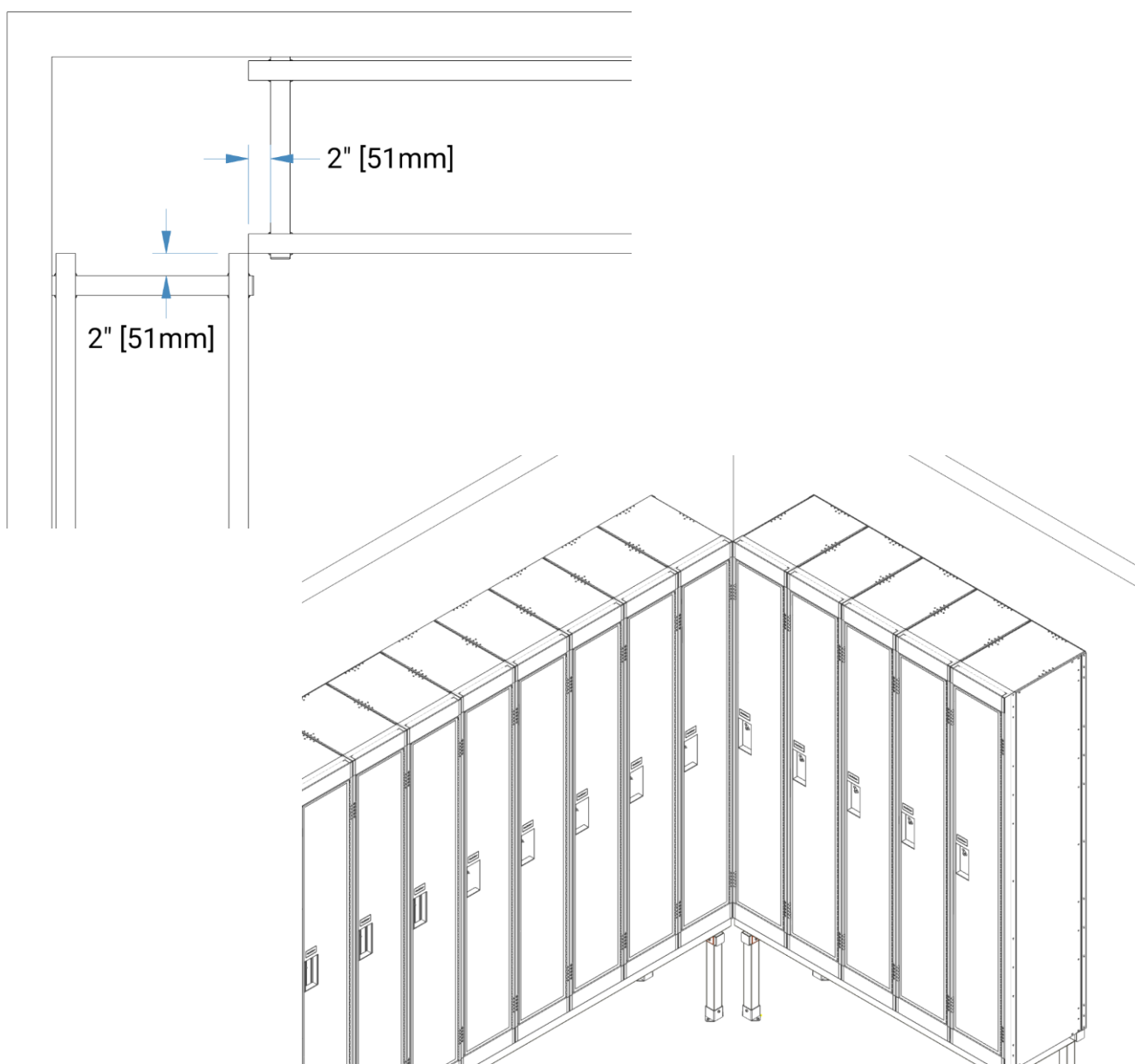


Hadrian reserves the right to improve or modify its material and specifications at any time in such a manner as it may consider necessary or advisable, and to discontinue the manufacture and sale of any products, without notice.

Appendix D – Pedestals without Bench Corner Installation

Place and fasten pedestals, horizontal support tubes and benches as shown below.

If support tubes need to be cut to length, cut with metal saw and deburr rough edges.



Hadrian reserves the right to improve or modify its material and specifications at any time in such a manner as it may consider necessary or advisable, and to discontinue the manufacture and sale of any products, without notice.