

## **WALL MOUNTED - POWDER COATED METAL URINAL SCREENS - ELITE MAX**

### **1.01 Construction**

Screens shall be constructed of two sheets of panel flatness zinc-coated galvanized steel, ASTM A653 GR33, laminated under pressure to a honeycomb core for sound deadening and rigidity. Formed edges to be welded together and inter-locked under tension with a roll-formed oval crown locking bar, mitred, welded and ground smooth at the corners. Honeycomb to have a maximum 25mm (1") cell size.

### **1.02 Wall Mounted**

Screens shall be 25mm (1") thick with cover sheets not less than 22-gauge (0.8mm / .030"). Screens shall be 457mm (18") or 610mm (24") deep by 1219mm (48") high and anchored into the wall approximately 305mm (12") off the floor.

### **1.03 Hardware & Fittings**

Screens shall be fastened to the wall with double-ear brackets that are chrome plated zinc die cast. Floor mounted with pilaster and floor to ceiling mounted with post to be fastened to the front support with "U" brackets that are chrome plated zinc die cast.

### **1.04 Finish**

All sheet metal to be thoroughly cleaned, phosphated and finished with a high performance powder coating, baked on to provide a uniform smooth protective finish. Color shall be as selected from Hadrian's color card.

**FLOOR MOUNTED WITH PILASTER - POWDER COATED METAL URINAL SCREENS - ELITE MAX****1.01 Construction**

Screens shall be constructed of two sheets of panel flatness zinc-coated galvanized steel, ASTM A653 GR33, laminated under pressure to a honeycomb core for sound deadening and rigidity. Formed edges to be welded together and inter-locked under tension with a roll-formed oval crown locking bar, mitred, welded and ground smooth at the corners. Honeycomb to have a maximum 25mm (1") cell size.

**1.02 Floor Mounted with Pilaster**

Screens shall be 25mm (1") thick with cover sheets not less than 22-gauge (0.8mm / .030"). Screens shall be 1626mm (64") high, in depths ranging from 457mm (18") to 1473mm (58") and anchored into the wall approximately 152mm (6") off the floor.

Floor supporting pilasters shall be 127mm(5") wide by 32mm(1.25") thick with cover sheets not less than 18 - gauge(1.2mm / .048"). Supporting pilasters shall be securely and rigidly fastened to the floor using 19mm(0.75") diameter expansion shields with spacers and nuts for leveling. Floors, preferably concrete, should not be less than 127mm(5") thick for rigidity and anchorage. The floor fastening shall be concealed and protected by a 102mm(4") high, die-formed #4 brushed finish stainless steel pilaster shoe.

**1.03 Hardware & Fittings**

Screens shall be fastened to the wall with double-ear brackets that are chrome plated zinc die cast. Floor mounted with pilaster and floor to ceiling mounted with post to be fastened to the front support with "U" brackets that are chrome plated zinc die cast.

**1.04 Finish**

All sheet metal to be thoroughly cleaned, phosphated and finished with a high performance powder coating, baked on to provide a uniform smooth protective finish. Color shall be as selected from Hadrian's color card.

**FLOOR TO CEILING WITH POST - POWDER COATED METAL URINAL SCREENS - ELITE MAX****1.01 Construction**

Screens shall be constructed of two sheets of panel flatness zinc-coated galvalume steel, ASTM A653 GR33, laminated under pressure to a honeycomb core for sound deadening and rigidity. Formed edges to be welded together and inter-locked under tension with a roll-formed oval crown locking bar, mitred, welded and ground smooth at the corners. Honeycomb to have a maximum 25mm (1") cell size.

**1.02 Floor to Ceiling with Post**

Screens shall be 25mm (1") thick with cover sheets not less than 22-gauge (0.8mm / .030"). Screens shall be 1854mm (73") to 2337mm (92") high, in depths ranging from 457mm(18") to 1499mm(59") and anchored into the wall approximately 102mm(4") 152mm, (6") or 229mm (9") off the floor.

Floor to ceiling supporting post shall be 44mm(1.75") square by 3048mm(120") long and shall be extruded aluminum with a clear anodized finish. Post is to be cut on site to suit floor to ceiling dimension and mounted to floor and ceiling with cast zamac chrome plated post shoes.

**1.03 Hardware & Fittings**

Screens shall be fastened to the wall with double-ear brackets that are chrome plated zinc die cast. Floor mounted with pilaster and floor to ceiling mounted with post to be fastened to the front support with "U" brackets that are chrome plated zinc die cast.

**1.04 Finish**

All sheet metal to be thoroughly cleaned, phosphated and finished with a high performance powder coating, baked on to provide a uniform smooth protective finish. Color shall be as selected from Hadrian's color card.

## **PEDESTAL MOUNTED - POWDER COATED METAL URINAL SCREENS - ELITE MAX**

### **1.01 Construction**

Screens shall be constructed of two sheets of panel flatness zinc-coated galvalume steel, ASTM A653 GR33, laminated under pressure to a honeycomb core for sound deadening and rigidity. Formed edges to be welded together and inter-locked under tension with a roll-formed oval crown locking bar, mitred, welded and ground smooth at the corners. Honeycomb to have a maximum 25mm (1") cell size.

### **1.02 Pedestal Mounted**

Screens shall be 25mm (1") thick with cover sheets not less than 22-gauge (0.8mm / .030"). Screens shall be 1854mm (73") to 2337mm (92") high in depths ranging from 457mm(18") or 610mm(24") and anchored into the wall approximately 102mm(4") 152mm or (9") off the floor.

Pedestal support shall be 304 #4 brushed stainless steel and to be mounted 152mm (6") in from the front of the screen.

### **1.03 Hardware & Fittings**

Screens shall be fastened to the wall with double-ear brackets that are chrome plated zinc die cast. Floor mounted with pilaster and floor to ceiling mounted with post to be fastened to the front support with "U" brackets that are chrome plated zinc die cast.

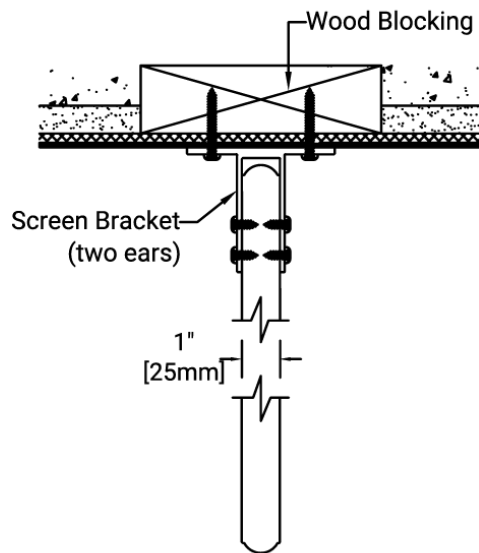
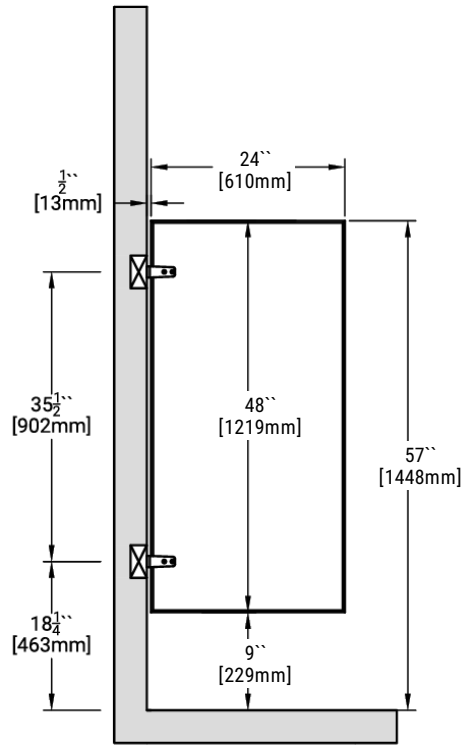
### **1.04 Finish**

All sheet metal to be thoroughly cleaned, phosphated and finished with a high performance powder coating, baked on to provide a uniform smooth protective finish. Color shall be as selected from Hadrian's color card.

**Metal Urinal Screens**

Elite Max Series - Wall mounted  
 9" [229mm] AFF

**Stirrup Bracket Installation**



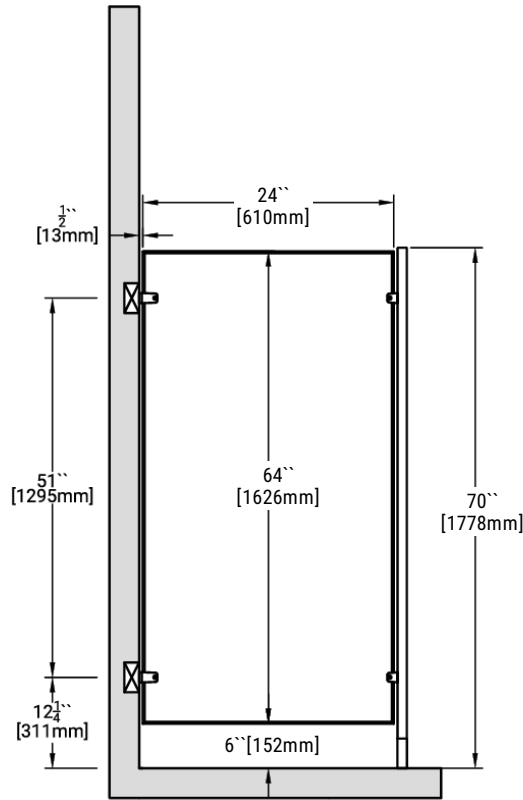
Available Panel Depths
18" [457mm]
24" [610mm]

**Metal Urinal Screens**

Elite Max Series - Floor Mounted with Pilaster

6" [152mm] AFF

**Stirrup Bracket Installation**

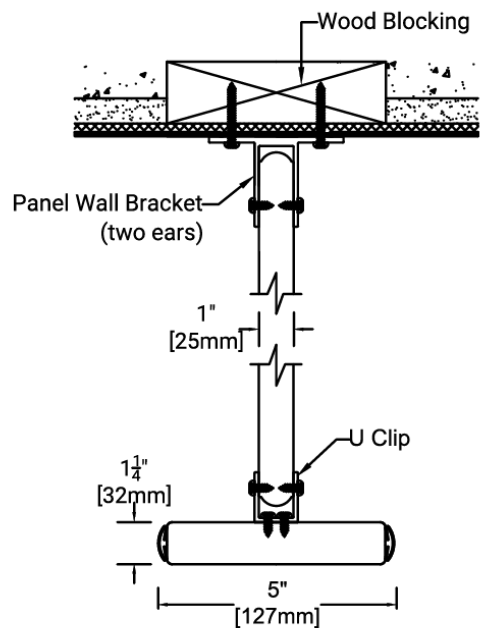


**Available Panel Depths**

14" [356mm]
18" [457mm]
24" [610mm]
28" [711mm]
34" [864mm]
40" [1016mm]
46" [1168mm]
52" [1321mm]
55" [1397mm]
58" [1473mm]

**Note**

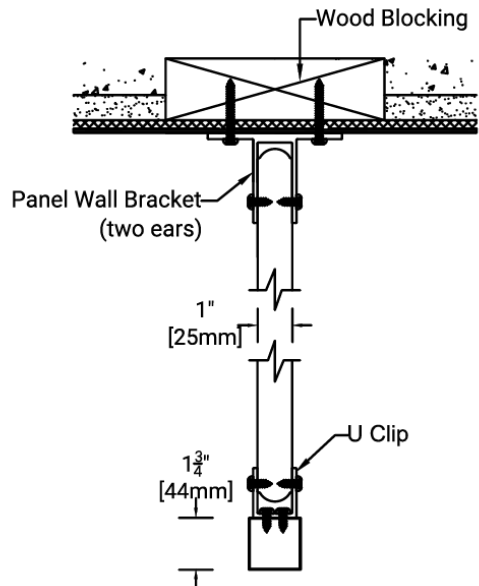
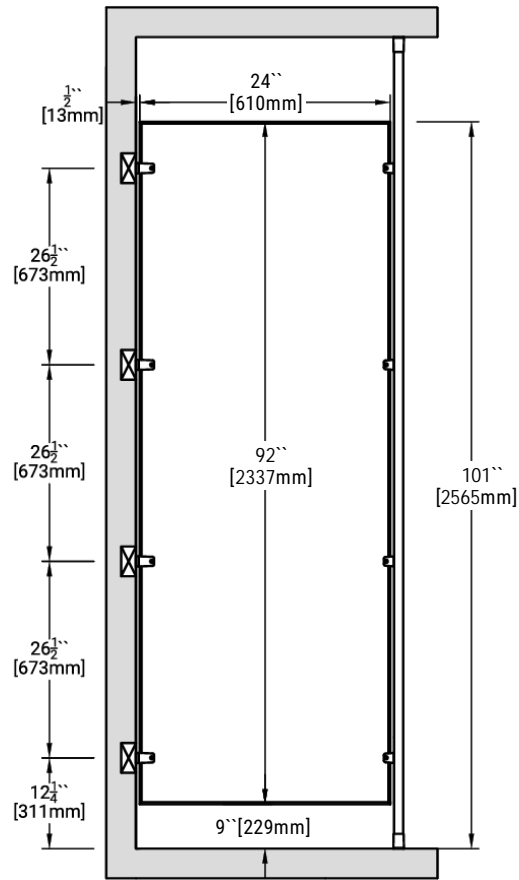
Floor Mounted with Pilaster option is only available with 64" high panels and is only suitable with 6" AFF.



**Metal Urinal Screens**

Elite Max Series - Floor to Ceiling Mounted with Post  
 9" [229mm] AFF

**Stirrup Bracket Installation**

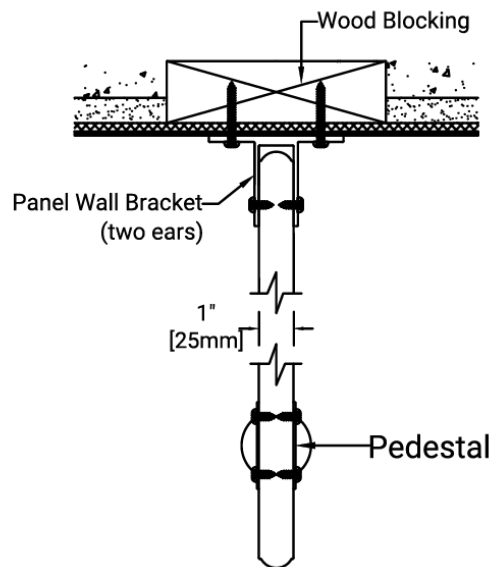
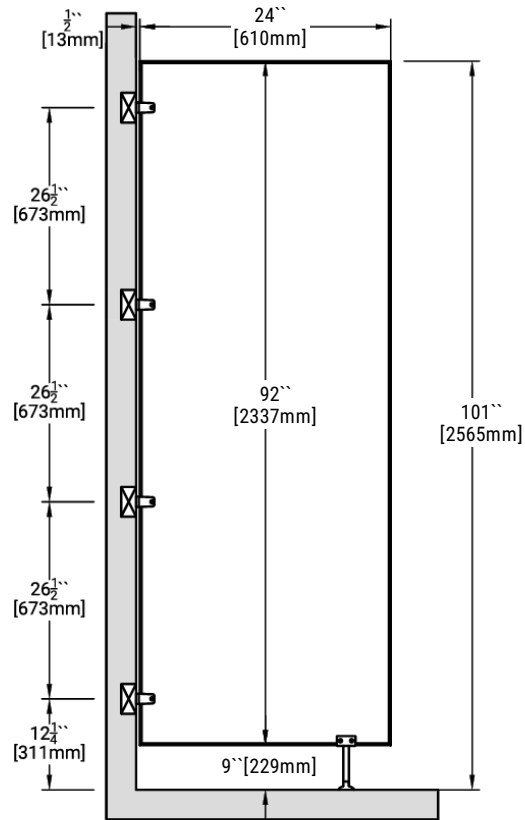


Available Panel Depths	
14"	[356mm]
18"	[457mm]
24"	[610mm]
28"	[711mm]
34"	[864mm]
40"	[1016mm]
46"	[1168mm]
52"	[1321mm]
55"	[1397mm]
58"	[1473mm]

**Metal Urinal Screens**

Elite Max Series - Pedestal mounted  
9" [229mm] AFF

**Stirrup Bracket Installation**



**Available Panel Depths**

18" [457mm]

24" [610mm]