



## Headrail Braced Arch Solid Plastic Toilet Partitions

### Material Specification

#### 1 . 0 1      **Construction**

Doors, panels and pilasters shall be certified CLASS B polyethylene solid plastic that contains no foaming agents, which can cause the formation of air pockets. The self-lubricating surface is resistant to marking and can be maintained effectively with ordinary household cleaners. Material is ideal for toilet partition installations, especially those exposed to heavy use and requiring upscale design.

#### 1 . 0 2      **Doors**

Shall be 19mm (3/4") thick by 1499mm (59") high with uniformly machined full radius edges and gentle curves top and bottom.

#### 1 . 0 3      **Panels**

Shall be 19mm (3/4") thick by 1499mm (59") high with uniformly machined radius edges and gentle curves top and bottom.

#### 1 . 0 4      **Pilasters**

Shall be 25mm (1") thick by 2083mm (82") high with integrated lap design to completely close off all sightline gaps at door to pilaster connections.

#### 1 . 0 5      **Headrail**

Shall be 25mm (1") tubular extruded anodized aluminum with anti-grip design. Strong structural tube design shall be securely attached to wall and pilasters with manufacturer's fittings in such a way as to make a rigid installation. All joints in headrails shall be made at a pilaster bracket.

#### 1 . 0 6      **Pilaster Fastening Method**

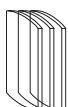
Pilasters shall be securely and rigidly fastened to the floor on vertically adjustable floor brackets. The floor fastening shall be concealed and protected by a 4" (102mm) high #4 brushed stainless steel pilaster shoe. Three elliptical brackets shall be used at the pilaster to wall connection.

#### 1 . 0 7      **Hardware & Fittings**

Panel, pilaster brackets and door hardware shall be Zamac 5 with #4 brushed nickel finish. Three elliptical brackets shall be used at the panel to wall connection. A full-height, continuous aluminum "U" channel shall be used at the panel to pilaster connection. Doors shall be equipped with gravity type hinges adjusted to the closed position. Threaded upper hinge pin shall have a metal core and self lubricating nylon sleeve to ensure smooth, quiet operation. Latch shall be equipped with a red/green occupancy indicator with an inconspicuous emergency access feature. Hadrian's unique designer coat hook & bumper features a solid cast zinc hook and oversized black rubber bumper that functions as both a door stop and bag hook. Fasteners are flush-mounted theft-proof 6-lobe security head stainless steel screws. Hadrian hardware meets ADA and CHC requirements.

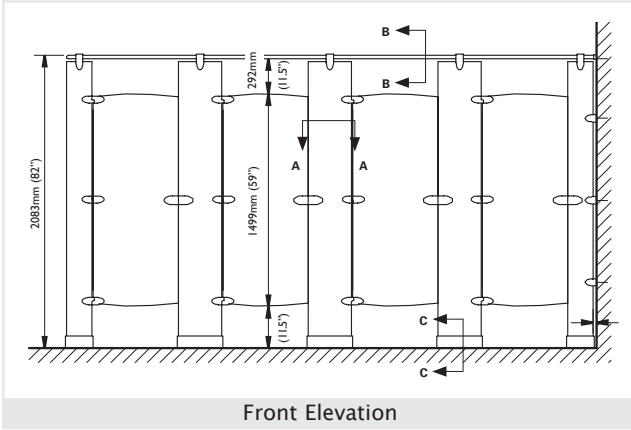
#### 1 . 0 8      **Finish**

Doors, panels, and pilasters shall be certified CLASS B polyethylene solid plastic with uniform color throughout. Color shall be as selected from Hadrian's color card.

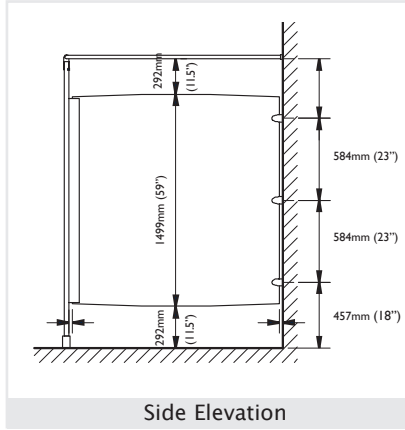




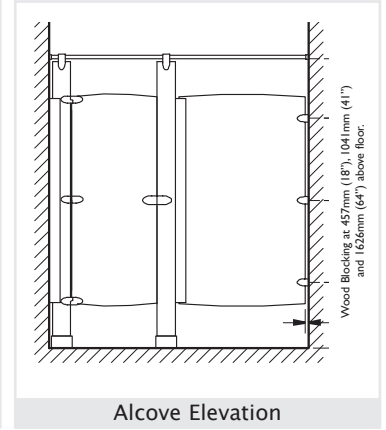
**Headrail Braced  
Arch Solid Plastic Toilet Partitions**



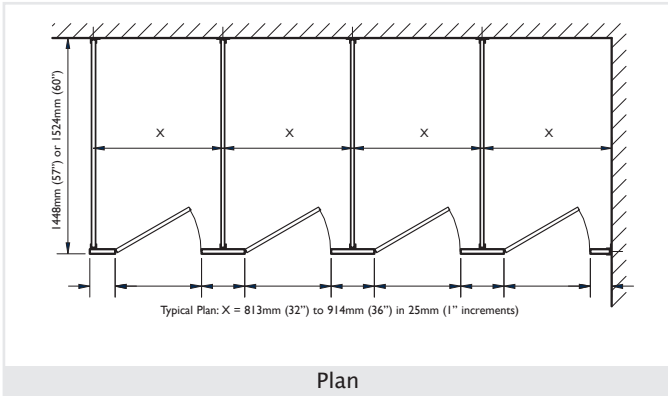
Front Elevation



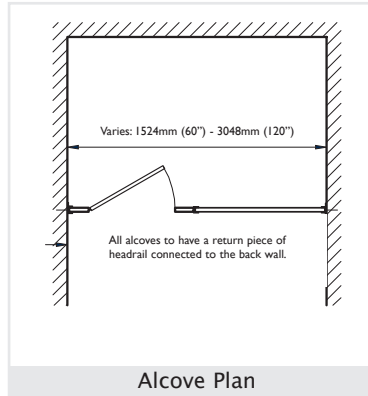
Side Elevation



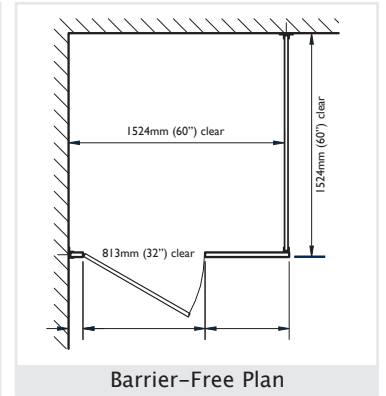
Alcove Elevation



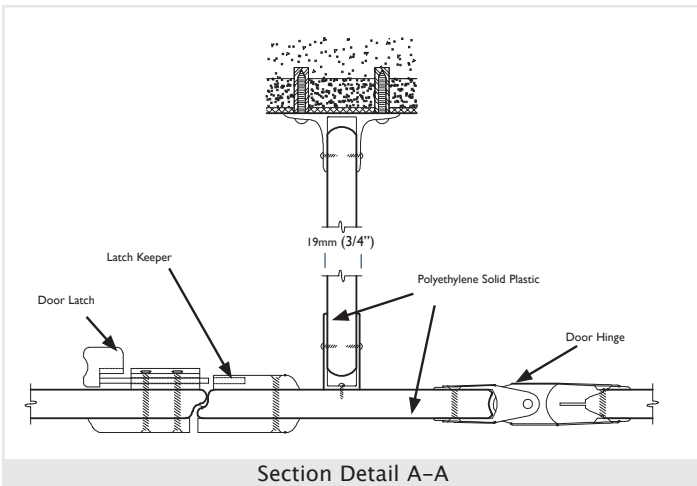
Plan



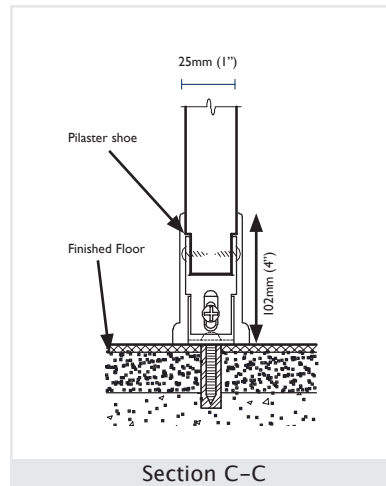
Alcove Plan



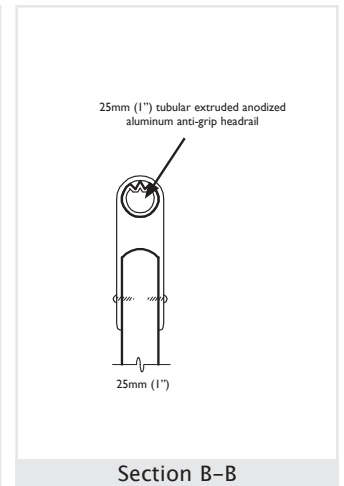
Barrier-Free Plan



Section Detail A-A



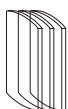
Section C-C



Section B-B

**Important Note:**

Refer to final drawings for wood blocking information. Wood blocking is critical to ensure a rigid installation.



**Hadrian Manufacturing Inc.**, 965 Syscon Road, Burlington, ON, Canada, L7L 5S3

**Hadrian Inc.**, 7420 Clover Avenue, Mentor, OH, U.S.A., 44060

[www.hadrian-inc.com](http://www.hadrian-inc.com)

• Tel: (905) 333-0300

• Tel: (440) 942-9118

• Fax: (905) 333-1841

• Fax: (440) 942-9618