

GRAB BAR REINFORCING For Metal Toilet Partitions

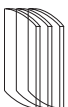
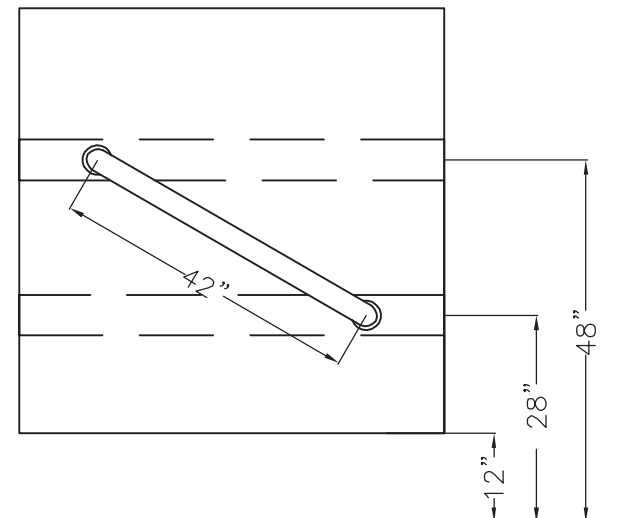
Material Specification

1.01

Grab Bar Reinforcing - CANADA

Wood reinforcement of panels for grab bars consists of two 5.5" (140mm) wide by 15/16" (24 mm) thick pieces of solid poplar that run the length of the panel to support diagonal grab bar attachment. The load bearing quality is subject to the grab bar itself, the fasteners used, and the blocking in the wall that supports the panel.

Grab bars, fasteners and blocking are supplied by others.



Hadrian Manufacturing Inc.,

965 Syscon Road, Burlington, ON, Canada, L7L 5S3

• Tel: (905) 333-0300

• Fax: (905) 333-1841

Hadrian Inc.,

7420 Clover Avenue, Mentor, OH, U.S.A., 44060

• Tel: (440) 942-9118

• Fax: (440) 942-9618

www.hadrian-inc.com