

GRAB BAR REINFORCING For Metal Toilet Partitions

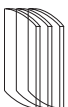
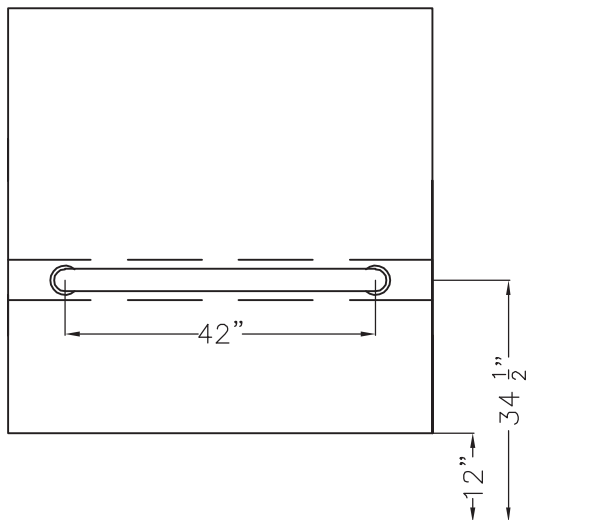
Material Specification

1 . 0 1

Grab Bar Reinforcing - USA

Wood reinforcement of panels for grab bars consists of a 5.5" (140mm) wide by 15/16" (24 mm) thick piece of solid poplar that runs the length of the panel. The load bearing quality is subject to the grab bar itself, the fasteners used, and the blocking in the wall that supports the panel.

Grab bars, fasteners and blocking are supplied by others.



Hadrian Manufacturing Inc.,

965 Syscon Road, Burlington, ON, Canada, L7L 5S3

• Tel: (905) 333-0300

• Fax: (905) 333-1841

Hadrian Inc.,

7420 Clover Avenue, Mentor, OH, U.S.A., 44060

• Tel: (440) 942-9118

• Fax: (440) 942-9618

www.hadrian-inc.com