

Arch

Solid Plastic



Headrail Braced

Headrail Braced units are a popular choice for old or new buildings. Featuring unique elliptical hardware and gently curved doors and panels, the Arch takes design flexibility to a new plateau. Arch Headrail braced partitions are ideal for theatres, office buildings, country clubs, shopping malls, upscale restaurants and any installation where design is a priority.

hadrian
toilet partitions & lockers

www.hadrian-inc.com

Material Specifications

1.01 Construction

Doors, panels and pilasters shall be polypropylene solid polymer resin. Polypropylene's self-lubricating surface is resistant to marking and can be maintained effectively with ordinary household cleaners. Material is ideal for toilet partition installations, especially those exposed to heavy use and requiring upscale design.

1.02 Doors

Shall be 19mm (3/4") thick by 1499mm (59") high with uniformly machined full radius edges and gentle curves top and bottom.

1.03 Panels

Shall be 19mm (3/4") thick by 1499mm (59") high with uniformly machined radius edges and gentle curves top and bottom.

1.04 Pilasters

Shall be 25mm (1") thick by 2083mm (82") high with integrated lap design to completely close off all sightline gaps at door to pilaster connections.

1.05 Headrail

Shall be 25mm (1") tubular extruded anodized aluminum with anti-grip design. Strong structural tube design shall be securely attached to wall and pilasters with manufacturer's fittings in such a way as to make a rigid installation. All joints in headrails shall be made at a pilaster bracket.

1.06 Pilaster Fastening Method

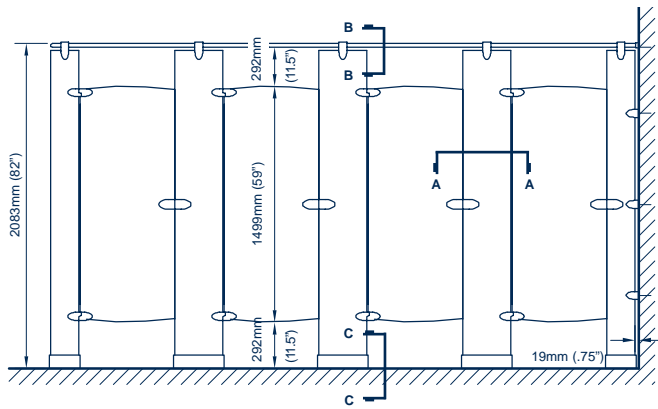
Pilasters shall be securely and rigidly fastened to the floor on vertically adjustable floor brackets. The floor fastening shall be concealed and protected by a 4" (102mm) high #4 brushed stainless steel pilaster shoe. Three elliptical brackets shall be used at the pilaster to wall connection.

1.07 Hardware & Fittings

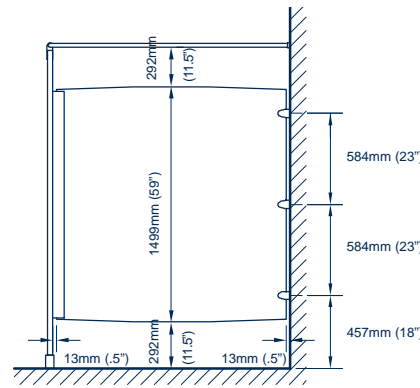
Panel, pilaster brackets and door hardware shall be Zamac 5 with #4 brushed nickel finish. Three elliptical brackets shall be used at the panel to wall connection. A full-height, continuous aluminum "U" channel shall be used at the panel to pilaster connection. Doors shall be equipped with gravity type hinges adjusted to the closed position. Upper hinge pin to be metal with self-lubricating nylon sleeve. Latch shall be equipped with a red/green occupancy indicator with an inconspicuous emergency access feature. Hadrian's unique designer coat hook & bumper features a solid cast zinc hook and oversized black rubber bumper that functions as both a door stop and bag hook. Fasteners are flush-mounted theft-proof 6-lobe security head stainless steel screws. Hadrian hardware meets ADA and CHC requirements.

1.08 Finish

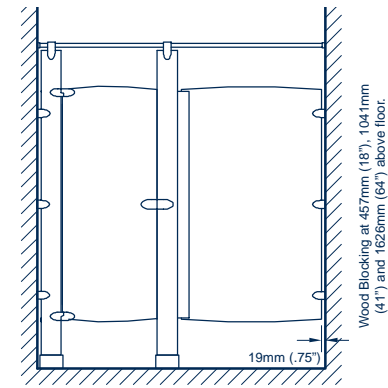
Doors, panels, and pilasters shall be constructed of solid polypropylene polymer resin with matte finish and uniform color throughout. Color shall be as selected from Hadrian's Color Selector.



front elevation

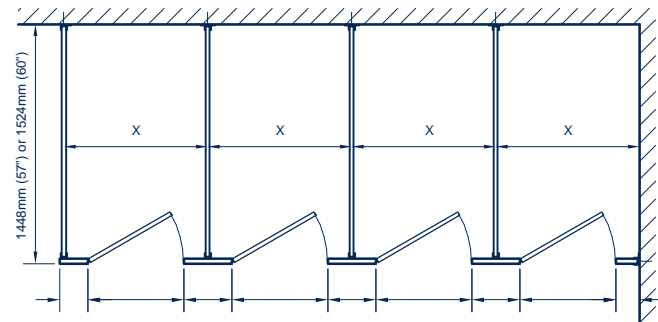


side elevation

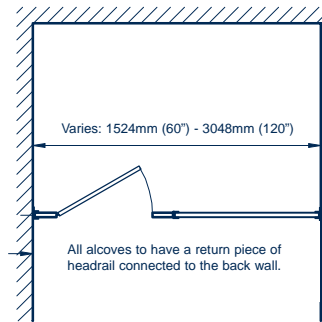


alcove elevation

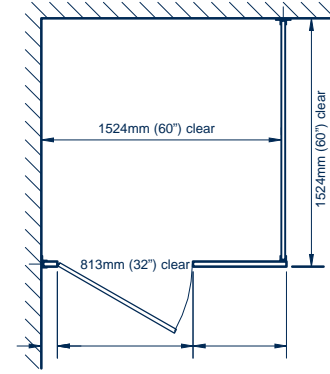
Wood Blocking at 457mm (18"), 1041mm (41") and 1626mm (64") above floor.



plan

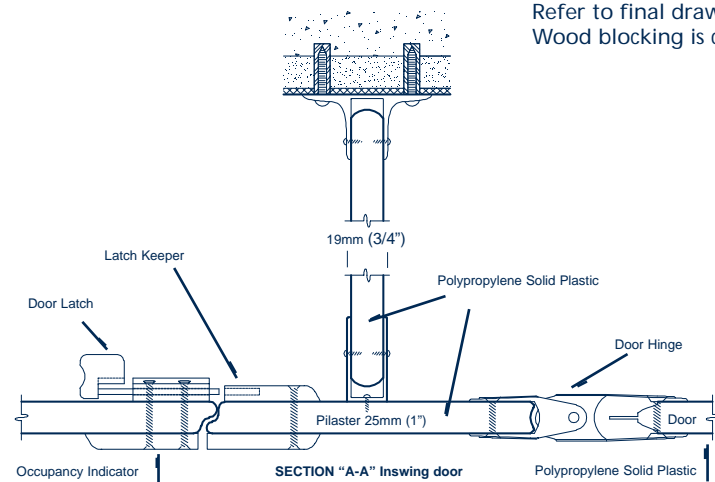


alcove plan

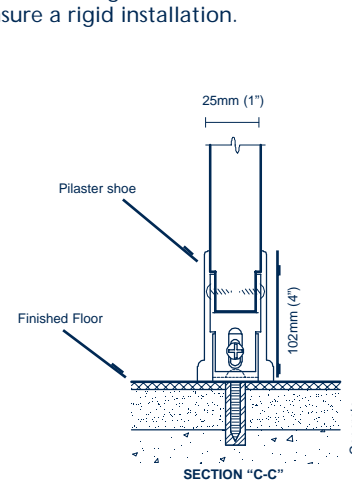


barrier-free plan

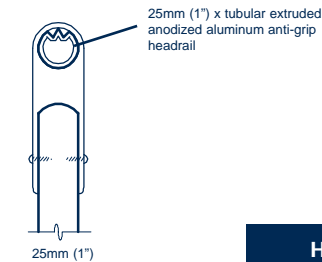
Important Note:
Refer to final drawings for wood blocking information.
Wood blocking is critical to ensure a rigid installation.



plan detail



section detail



SECTION "B-B"

Component Sizes

Door Widths:
610mm (24")
864mm (34")
914mm (36")
Note: All doors are 1499mm (59") high.

Panel Widths:
610mm (24")
864mm (34")
11168mm (46")
1321mm (52")
1397mm (55")
1473mm (58")
1524mm (60")

Note: All panels are 1499mm (59") high.

Pilaster Widths:
76mm (3")
102mm (4")
127mm (5")
152mm (6")
203mm (8")
254mm (10")
305mm (12")
457mm (18")
584mm (23")
Note: All pilasters are 2083mm (82") high.

Custom sizes available

Hadrian Manufacturing Inc.,
965 Syscon Road, Burlington, Ontario
L7L 5S3 Canada
tel: 905-333-0300 fax: 905-333-1841
Canada toll free fax: 1-888-817-7701

Hadrian Inc.
7420 Clover Avenue, Mentor, Ohio
44060 U.S.A.
tel: 440-942-9118 fax: 440-942-9618
U.S.A. toll free fax: 1-800-536-1469