

WALL MOUNTED and FLOOR MOUNTED Stainless Steel Urinal Screens

Material Specification

1 . 0 1 Construction

Screens shall be constructed of two sheets of panel flatness type 304, #4 brushed finish stainless steel, laminated under pressure to a vertical honeycomb core for impact resistance, sound deadening and rigidity. Formed edges to be welded together and inter-locked under tension with a roll-formed oval crown locking bar, mitred, welded and ground smooth at the corners. Honeycomb to have a maximum 12.5mm (0.5") cell size.

1 . 0 2 Wall Mounted Screens

Screens shall be 25mm (1") thick with cover sheets not less than 22-gauge (0.8mm / .030"). Screens must be 457mm (18") or 610mm (24") deep by 1219mm (48") high and anchored into the wall approximately 305mm (12") off the floor with two brackets spaced 902mm (35.5") apart.

1 . 0 3 Floor Mounted Screens

Screens shall be 25mm (1") thick with cover sheets not less than 22-gauge (0.8mm / .030"). Screens must be 1473mm (58") high in depths ranging from 457mm (18") to 1524mm (60") and anchored into the wall approximately 305mm (12") off the floor with two brackets spaced 1156mm (45.5") apart.

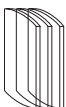
Supporting pilasters shall be 127mm (5") wide by 32mm (1.25") thick with cover sheets not less than 18-gauge (1.2mm / .048"). Supporting pilasters shall be securely and rigidly fastened to the floor using 19mm (0.75") diameter expansion shields with spacers and nuts for leveling. Floors, preferably concrete, should not be less than 127mm (5") thick for rigidity and anchorage. The floor fastening shall be concealed and protected by a 102mm (4") high, die-formed stainless steel pilaster shoe.

1 . 0 4 Hardware & Fittings

Wall mounted and floor mounted screens shall be fastened to the wall with double-ear brackets. Floor mounted screens shall be fastened to the supporting pilaster with "U" brackets. Fasteners are theft-proof 6-lobe security head stainless steel screws.

1 . 0 5 Finish

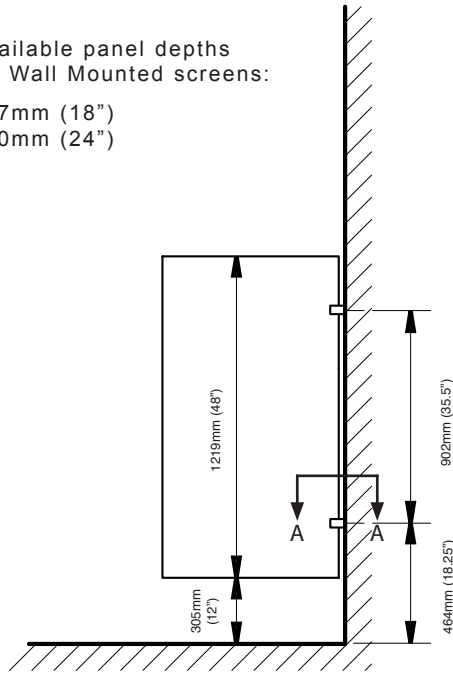
Type 304, #4 brushed stainless steel.



WALL MOUNTED and FLOOR MOUNTED Stainless Steel Urinal Screens

Available panel depths
for Wall Mounted screens:

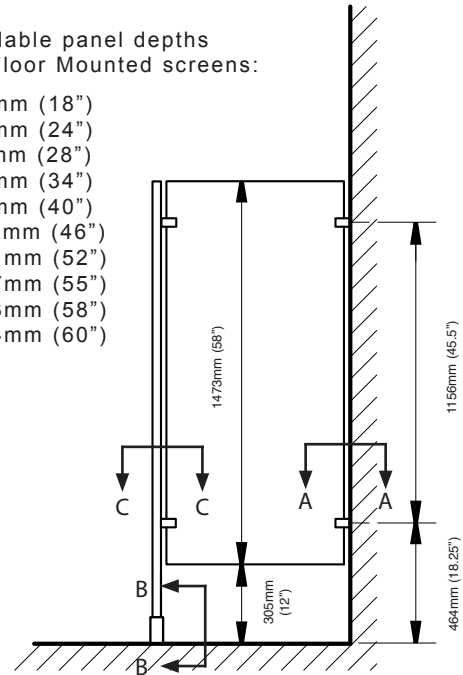
457mm (18")
610mm (24")



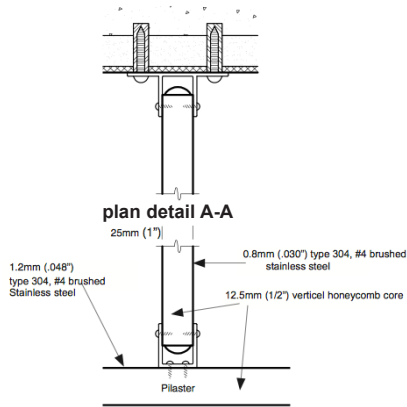
Wall Mounted Screen

Available panel depths
for Floor Mounted screens:

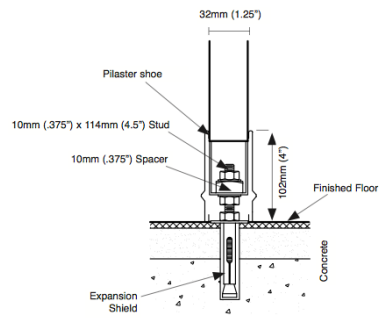
457mm (18")
610mm (24")
711mm (28")
864mm (34")
102mm (40")
1168mm (46")
1321mm (52")
1397mm (55")
1473mm (58")
1524mm (60")



Floor Mounted Screen



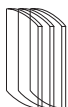
plan detail C-C



section detail B-B

Important Note:

Refer to final drawings for wood blocking information. Wood blocking is critical to ensure a rigid installation.



Hadrian Manufacturing Inc., 965 Syscon Road, Burlington, ON, Canada, L7L 5S3

Hadrian Inc.,

www.hadrian-inc.com

965 Syscon Road, Burlington, ON, Canada, L7L 5S3

7420 Clover Avenue, Mentor, OH, U.S.A., 44060

• Tel: (905) 333-0300

• Tel: (440) 942-9118

• Fax: (905) 333-1841

• Fax: (440) 942-9618