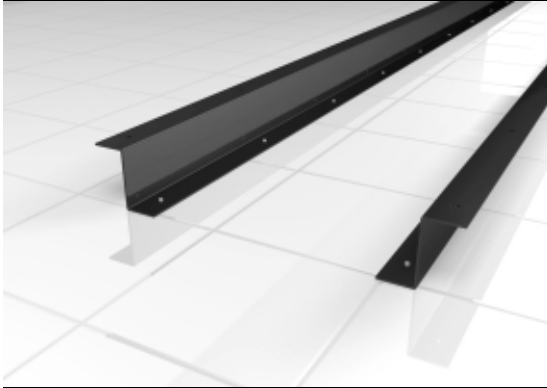


# LOCKERS



## Z - B a s e *locker accessories*

Hadrian's Continuous Z-Base is a heavy-duty locker support option. The durable 14-gauge base is anchored directly to the floor and elevates the lockers to 4" (102") off the ground.

**hadrian**  
toilet partitions and lockers

www.hadrian-inc.com

## Specifications: Section 10500

### Part 1 - General

#### 1.01 **Qualifications**

Qualifications of alternative products will be evaluated only if they are submitted with supporting documents to show that they are equal to or better than these specification standards.

#### 1.02 **Chemical Safety**

All materials are completely asbestos free. The paint used shall be a powder coating completely free of all lead and chromate.

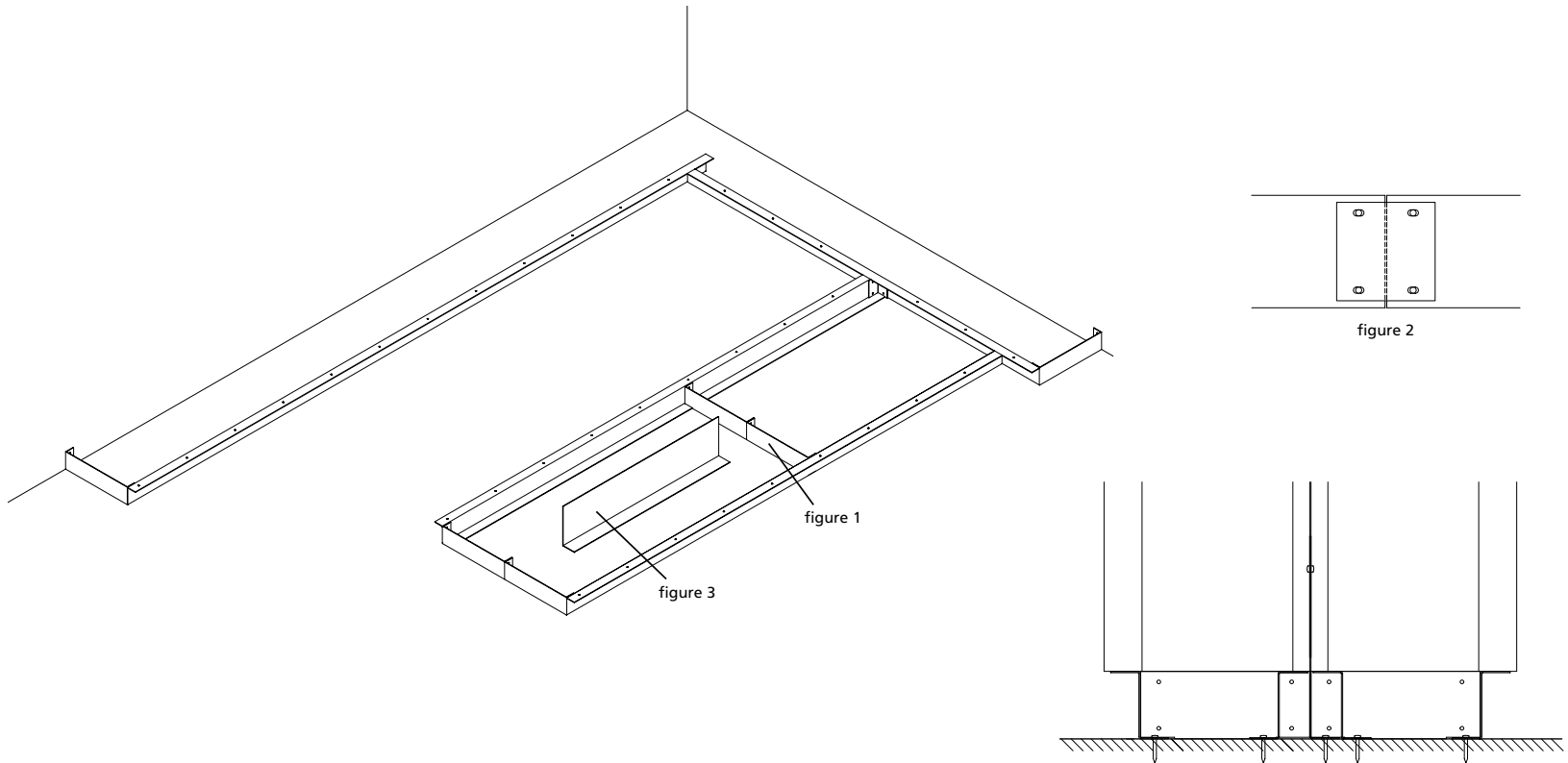
#### 1.03 **Warranty**

Hadrian's continuous Z-base is warranted for a period of two years against defective parts and workmanship, excluding vandalism and improper installation.

### Part 2 - Products

#### 2.01 **Materials**

Z-Bases shall be made of 14 gauge mild cold rolled sheet steel free from surface imperfections and contaminants that would be detrimental to the acceptance of a high grade hybrid epoxy polyester powder finish.



## Notes

Z-bases are supplied in 60" (1524mm) lengths and are cut on site to suit.

Hadrian recommends the use of an end base at every other joint (both single and double row) to provide stabilization for the base system (figure 1). All other connections will be made using a splice plate (figure 2).

For back-to-back lockers, anchor a 12" (305mm) expansion angle to the floor between the rows of lockers. Fasten locker backs through the expansion angle (figure 3). Hadrian also recommends the use of wood blocking (by others) to support locker backs in this condition.