

hadrian®

FLOOR BOOT RACK INSTALLATION GUIDE



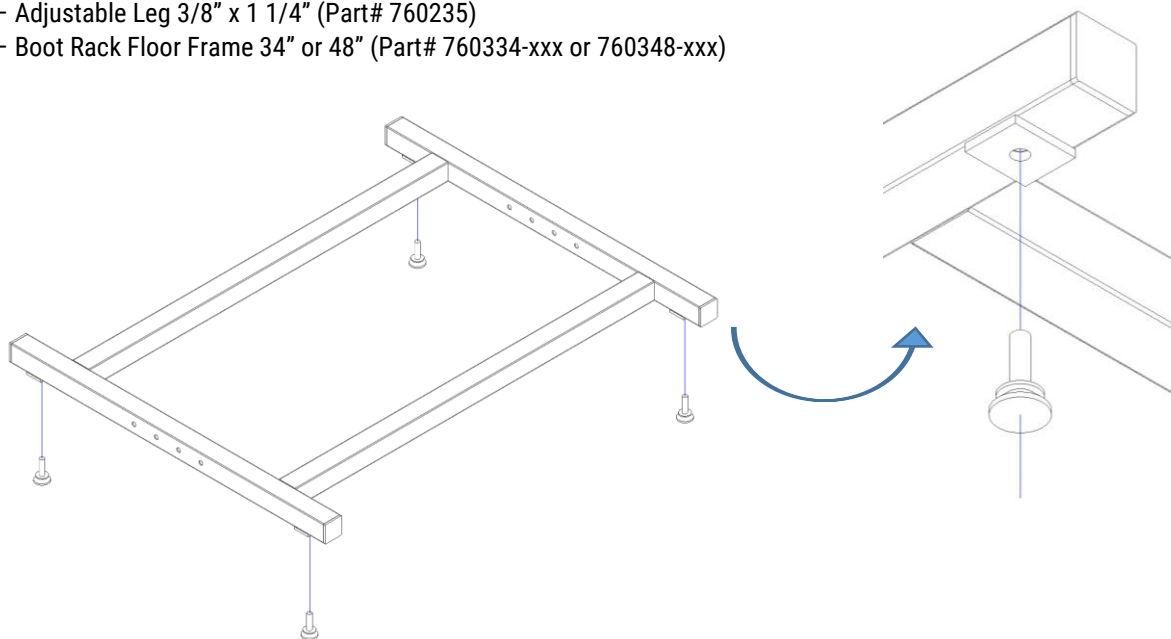
June 11, 2020

Step 1

Install adjustable legs to bottom of frame.

4x – Adjustable Leg 3/8" x 1 1/4" (Part# 760235)

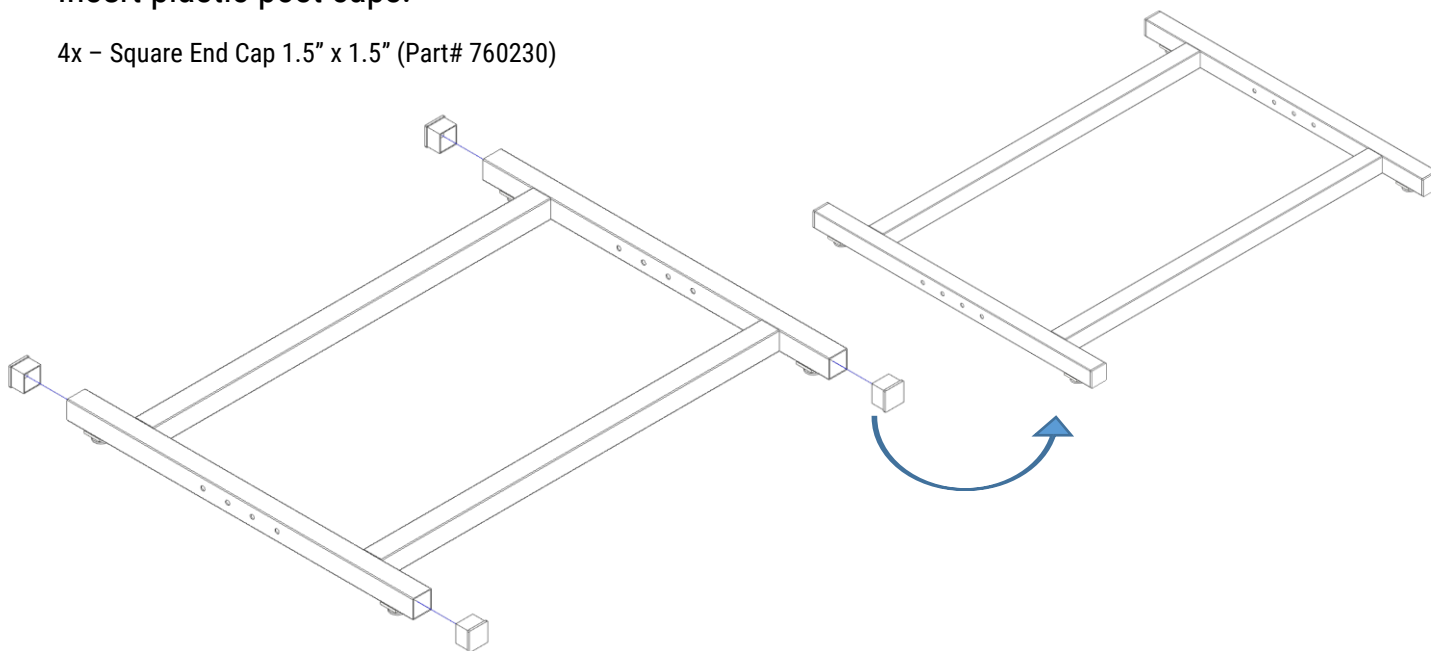
1x – Boot Rack Floor Frame 34" or 48" (Part# 760334-xxx or 760348-xxx)



Step 2

Insert plastic post caps.

4x – Square End Cap 1.5" x 1.5" (Part# 760230)



"XXX" indicates color number.

Hadrian reserves the right to improve or modify its material and specifications at any time in such a manner as it may consider necessary or advisable, and to discontinue the manufacture and sale of any products, without notice.

Step 3

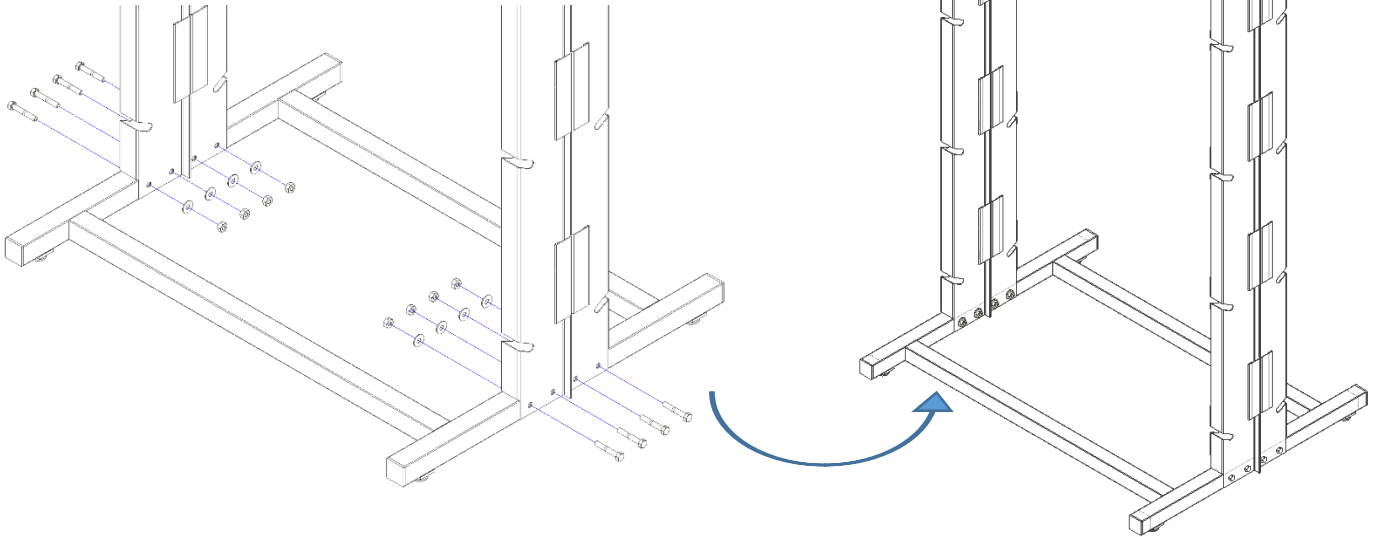
Fasten boot rack posts to the bottom frame.

4x – Floor | Mobile Boot Rack Post 58" (Part# 760058-xxx)

8x – Hex Bolt 5/16" x 2" (Part# 760240)

8x – Hex Finishing Nut 5/16" (Part# 460245)

8x – Flat Washer 5/16" (Part# 760250)

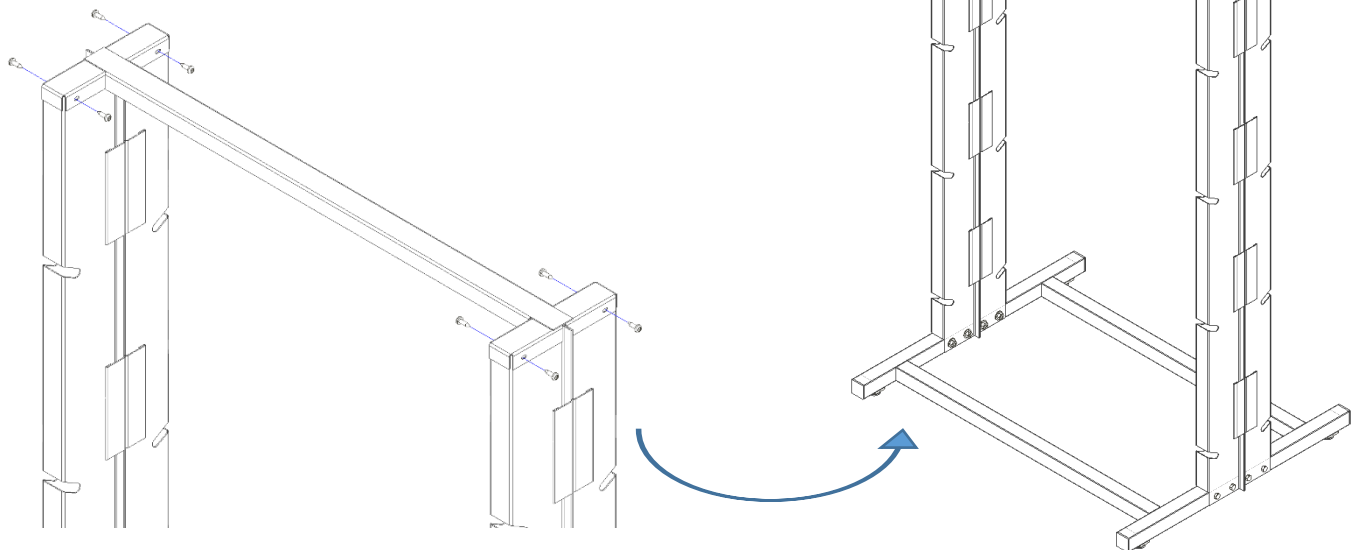


Step 4

Fasten the top stretcher to top of boot rack posts.

1x – Floor | Mobile Top Stretcher 34" or 48" (Part# 760164-xxx or 760168-xxx)

8x – Self-Drill Screw #12-14 x 3/4" (Part# 760220)



"XXX" indicates color number.

Hadrian reserves the right to improve or modify its material and specifications at any time in such a manner as it may consider necessary or advisable, and to discontinue the manufacture and sale of any products, without notice.

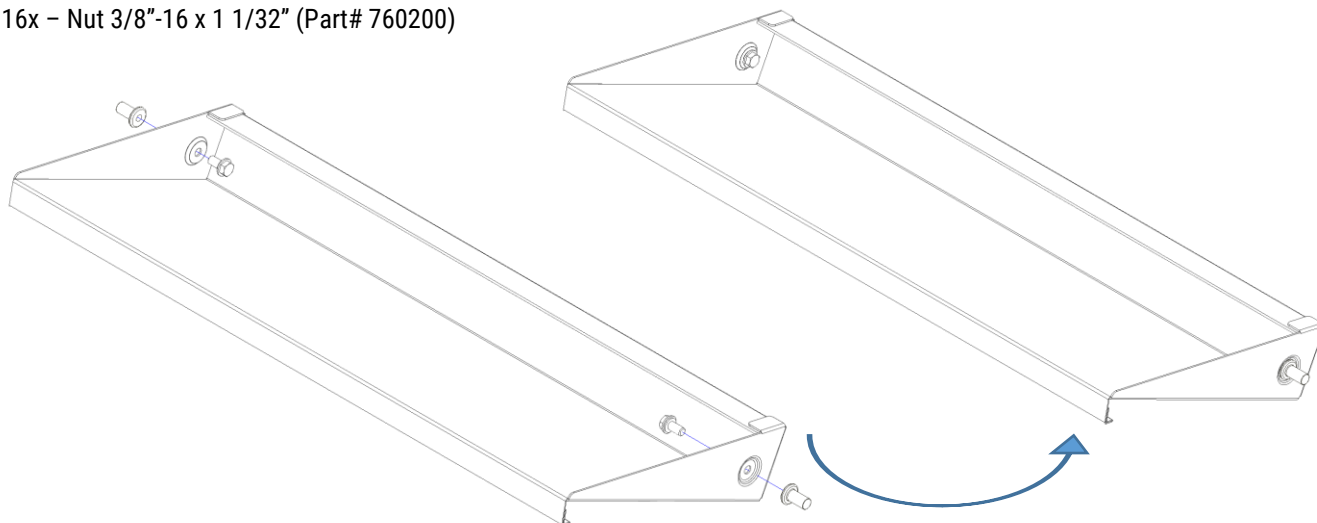
Step 5

Fasten shelf nut and bolt to boot rack shelf.

8x – Boot Rack Shelf 34" or 48" (Part# 760034-xxx or 760048-xxx)

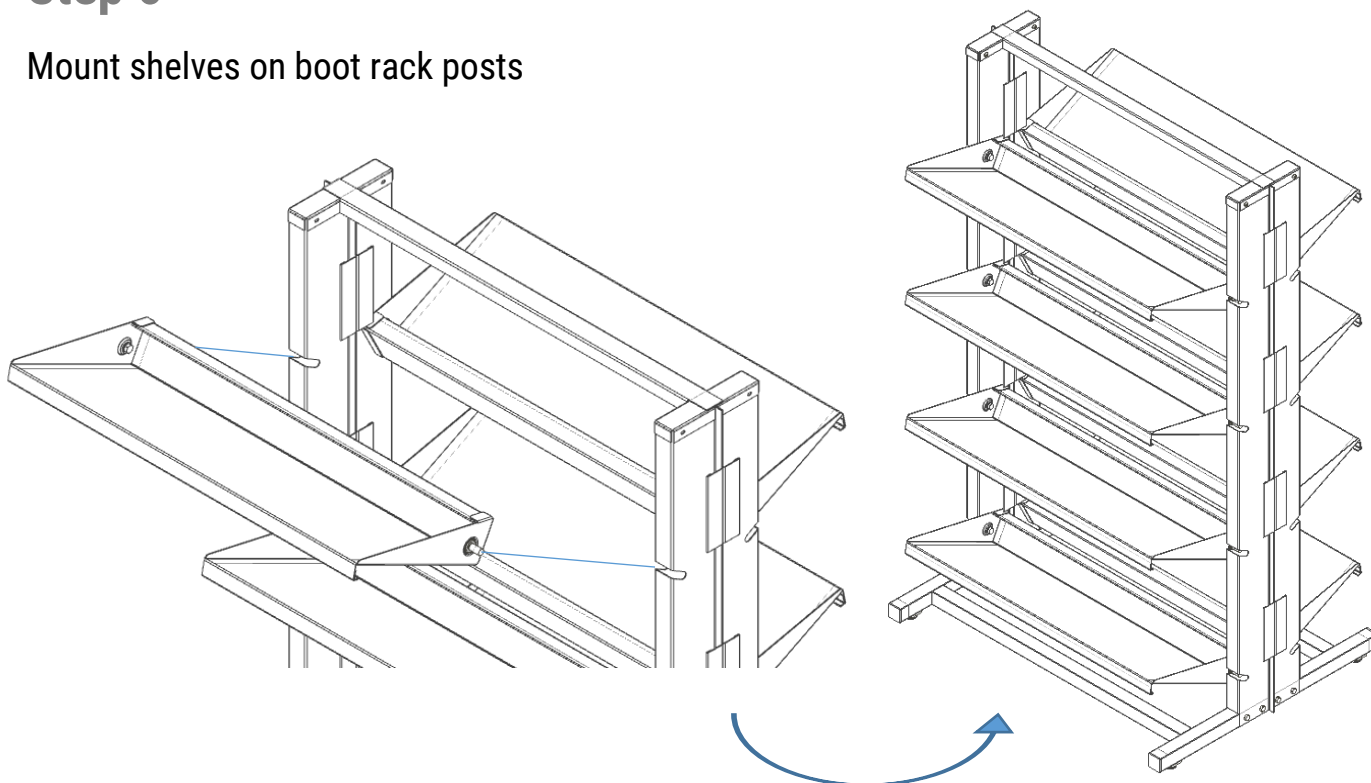
16x – Bolt 3/8"-16 x 3/4" (Part# 760210)

16x – Nut 3/8"-16 x 1 1/32" (Part# 760200)



Step 6

Mount shelves on boot rack posts



"XXX" indicates color number.

Hadrian reserves the right to improve or modify its material and specifications at any time in such a manner as it may consider necessary or advisable, and to discontinue the manufacture and sale of any products, without notice.