

hadrian®

**WALL MOUNTED BOOT RACK INSTALLATION GUIDE**

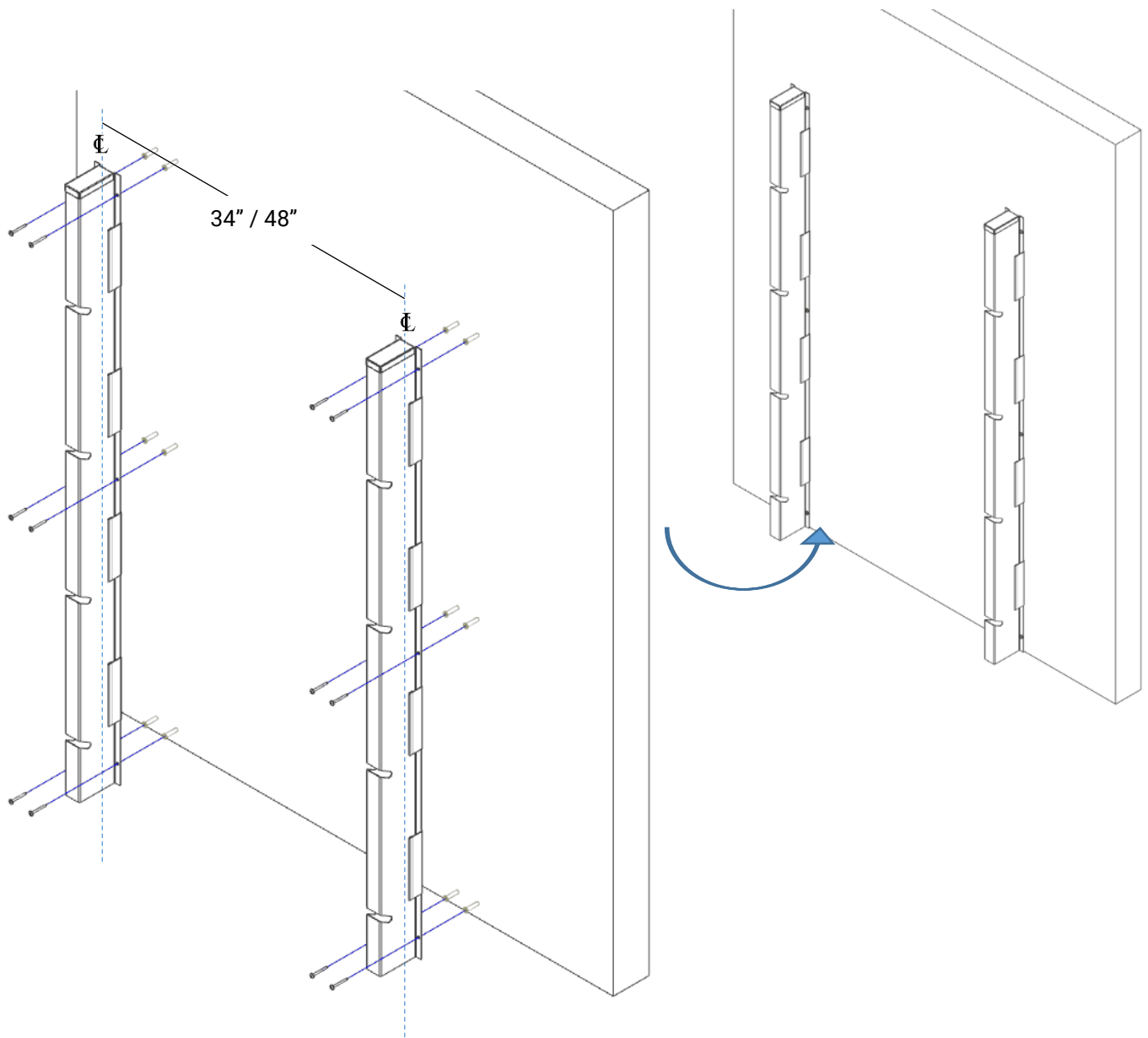


June 25, 2020

### Step 1

Fasten boot rack posts to wall. *Concrete, wood or metal studs are required.*

- 1x – Wall Mount Boot Rack Post (Part# 760158-xxx)
- 12x – SP 14 x 1 3/4" Screw-6 Lobe SS (Part# 620052)
- 12x – SP Plastic Anchor #14-16 (Part# 620053)



"XXX" indicates color number.

Hadrian reserves the right to improve or modify its material and specifications at any time in such a manner as it may consider necessary or advisable, and to discontinue the manufacture and sale of any products, without notice.

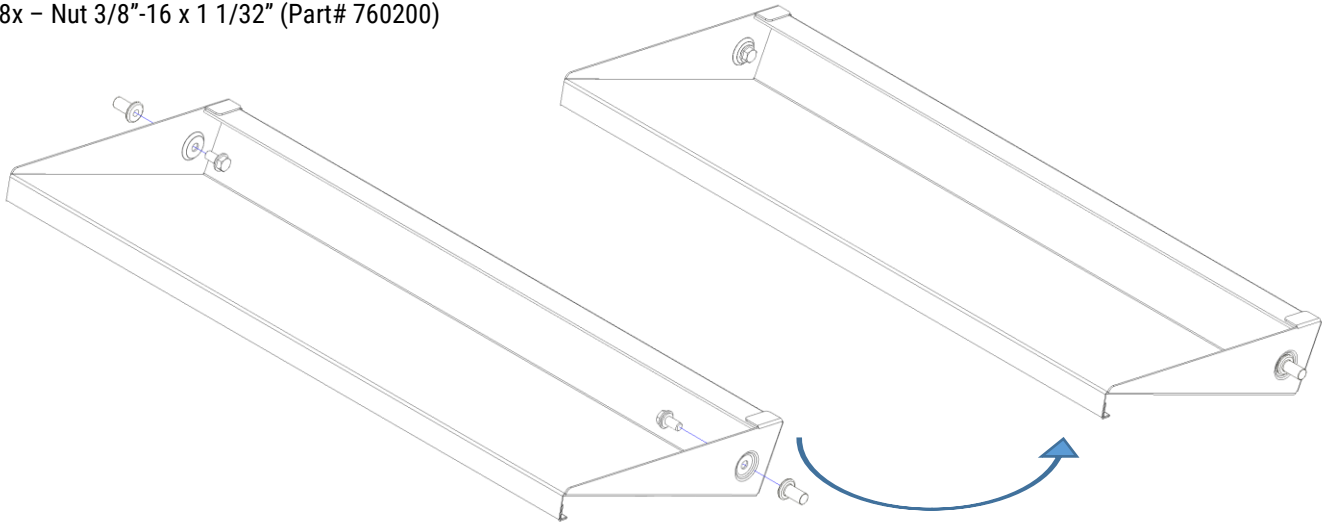
### Step 2

Fasten shelf nut and bolt to boot rack shelf.

4x - Boot Rack Shelf 34" or 48" (Part# 760034-xxx or 760048-xxx)

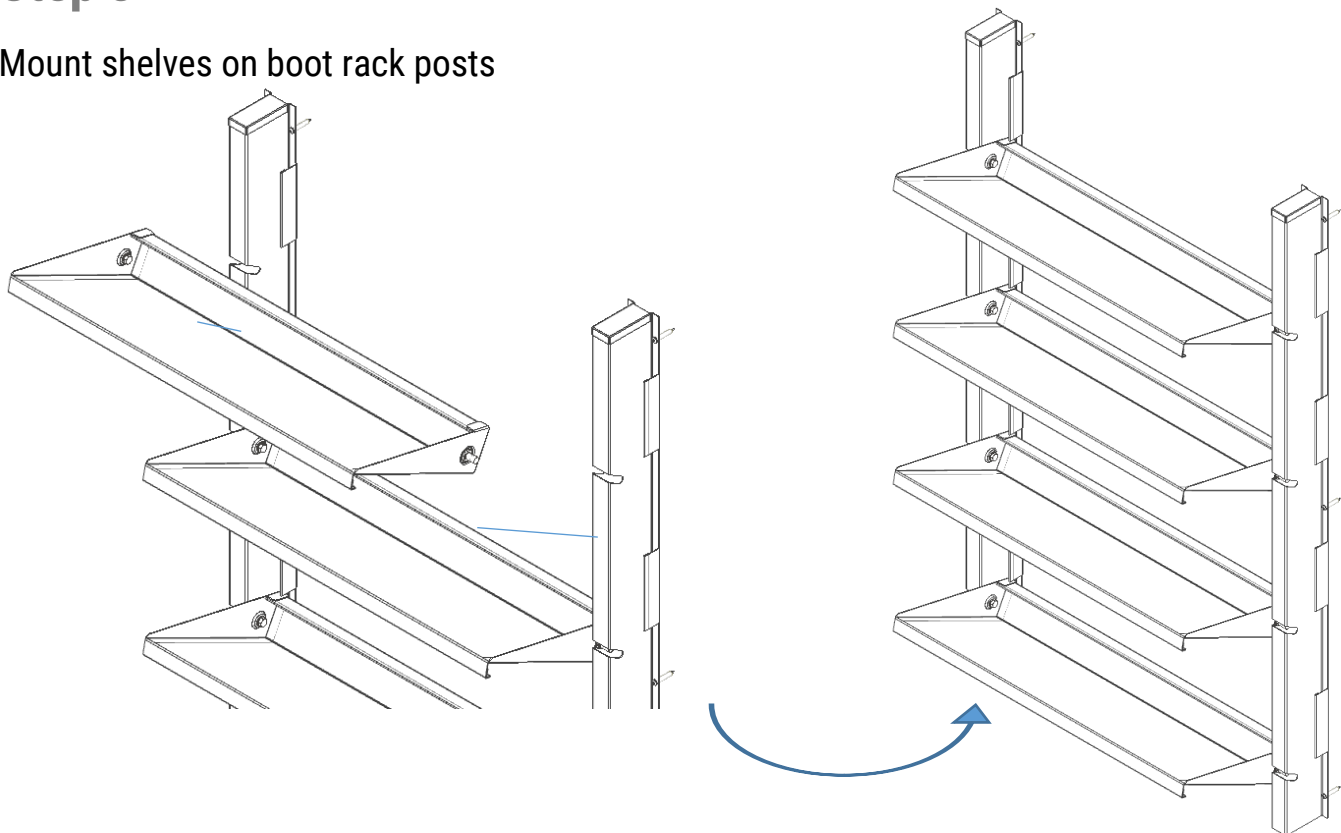
8x - Bolt 3/8"-16 x 3/4" (Part# 760210)

8x - Nut 3/8"-16 x 1 1/32" (Part# 760200)



### Step 3

Mount shelves on boot rack posts



"XXX" indicates color number.

Hadrian reserves the right to improve or modify its material and specifications at any time in such a manner as it may consider necessary or advisable, and to discontinue the manufacture and sale of any products, without notice.