

Material Specification

HEADRAIL BRACED PEDESTAL MOUNTED - STAINLESS STEEL METAL TOILET PARTITIONS - ELITE MAX

1.01 Construction Features

Doors, Panels and Pilasters shall be constructed of two sheets of panel flatness type 304, #4 brushed finish stainless steel, laminated under pressure to a "verticel" honeycomb core for impact resistance, rigidity and sound deadening. Honeycomb to be of virgin, long fiber paper with a maximum 19mm (0.75") cell size. Formed edges to be welded together and interlocked, under tension, with a roll-formed oval crown stainless steel locking bar, mitred, welded and ground smooth at the corners.

1.02 Doors

Shall be 2134mm (84") or 2337mm (92") high and 25mm (1") thick with cover sheets not less than 0.8mm (.030").

1.03 Panels

Shall be 2134mm (84") or 2337mm (92") high and (1") thick with cover sheets not less than 0.8mm (.030").

1.04 Pilasters

Shall be 32mm (1.25") thick with cover sheets not less than 0.8mm (.030").

1.05 Headrail

Shall be 25mm (1") by 41mm (1.625") extruded anodized aluminum with anti-grip design. Wall thickness to be 1.5mm (.060") and shall be securely attached to wall and pilasters with manufacturer's fittings in such a way as to make a strong and rigid installation. All joints in headrails shall be made at a pilaster.

1.06 Pilaster Fastening Method

Pilasters shall be securely and rigidly fastened to a pilaster pedestal or a panel which is mounted to the floor with a panel pedestal.

1.07 Hardware and Fittings

Panel-to-pilaster, panel-to-wall, and pilaster-to-wall connections are made with full-height channels, finished to match partitions. Fasteners are zinc plated 12 x 1-3/4" and 12 x 5/8" TR-27 6-lobe security screws.

Doors shall be equipped with chrome plated zinc die cast gravity type hinges, mounted on upper and lower pilaster hinge brackets. Threaded top hinge pin shall be metal with a self-lubricating nylon sleeve. Door hinges shall be wrap-around style and adjustable to permit the door to come to rest at any position when not latched.

Coat Hook and Bumper: Each door to be fitted with a combined coat hook and bumper. Finish to match other hardware items.

Latch to be surface mounted with occupancy indicator, #4 brushed zamac.

A full length aluminum continuous stop and full length aluminum hinge side filler eliminate all sightline gaps between pilasters and doors.

Pilaster and panel pedestals to be stainless steel with a #4 brushed finish.

1.08 Finish

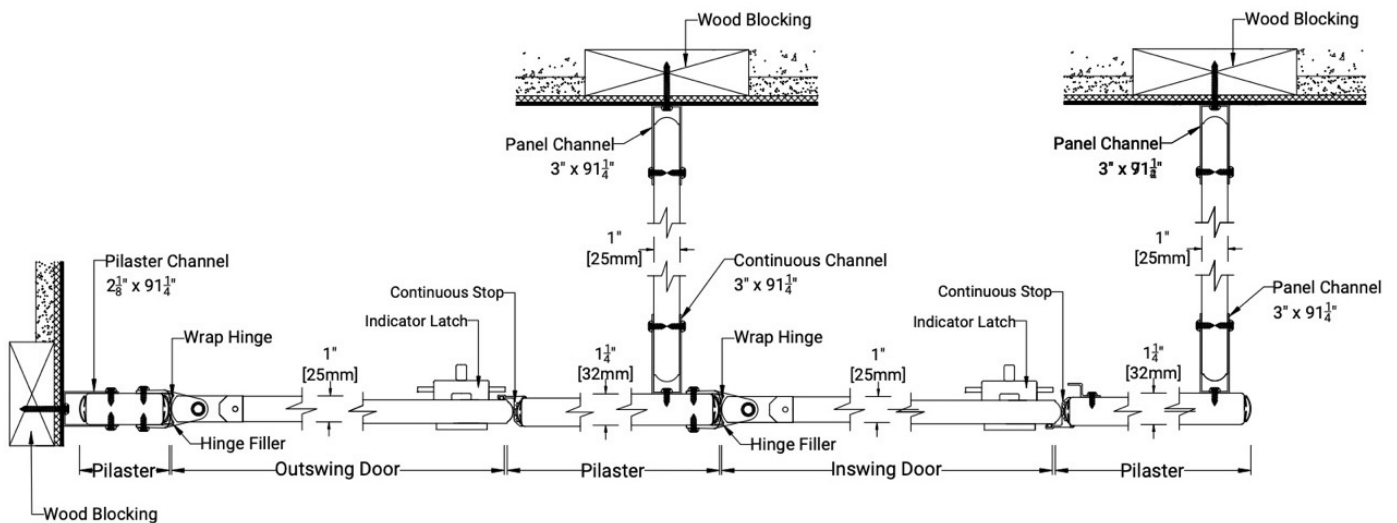
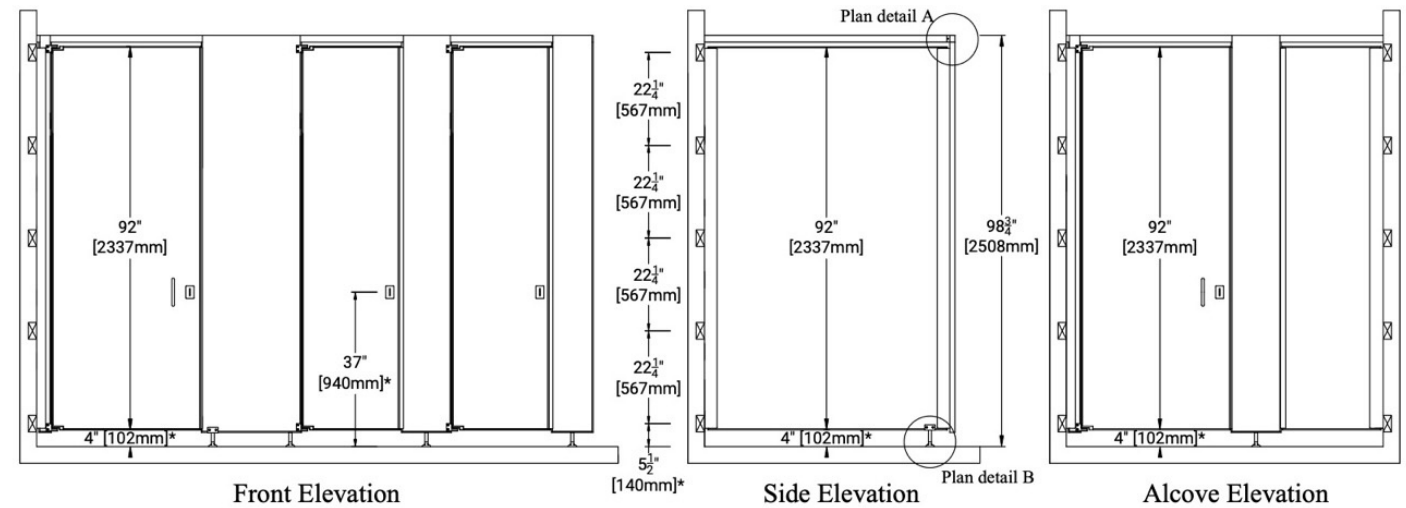
Type 304, #4 brushed finish stainless steel

Metal Toilet Partitions

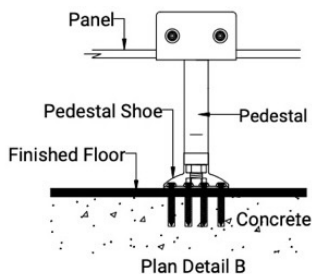
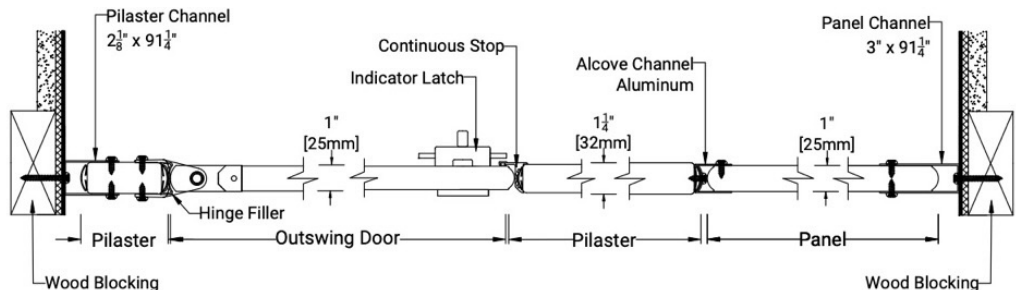
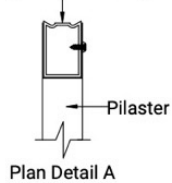
Elite Max Series - Headrail Braced Pedestal Mounted - 4" [102mm] AFF

Chrome Hardware - Indicator Latch & Wrap Hinge

Channels - Continuous Stops & Hinge Fillers



1" [25mm] x 1 5/8" [41mm] extruded anodized aluminum anti-grip Headrail. Headrail sits 1/8" [3mm] above pilaster.



Important Notes:

Refer to final drawings for wood blocking information. Wood blocking is critical to ensure a rigid installation.

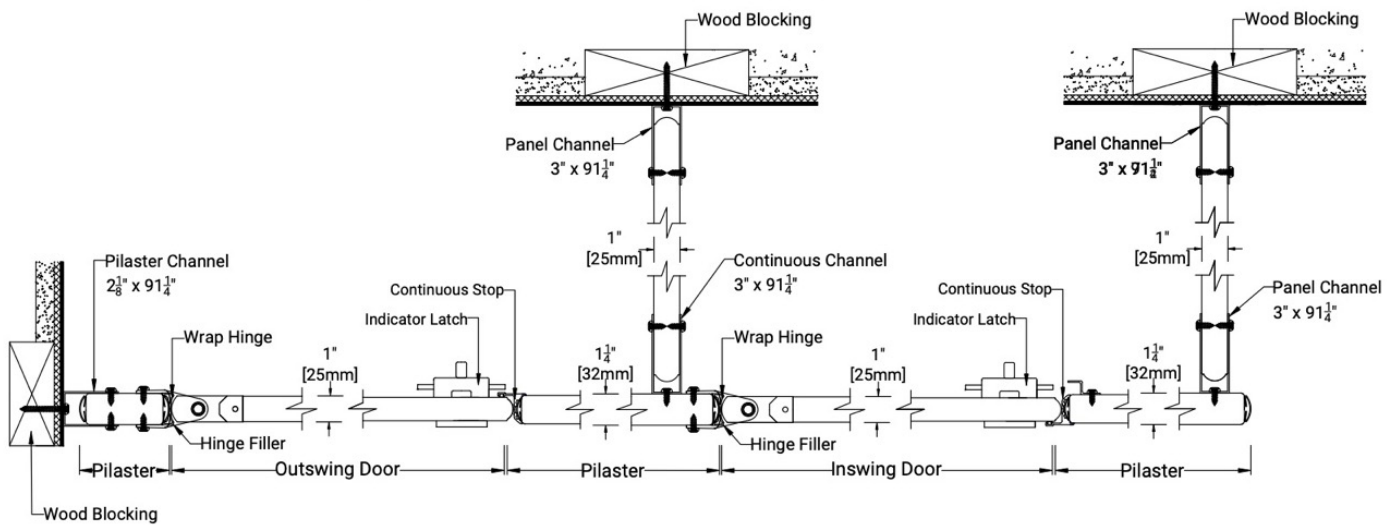
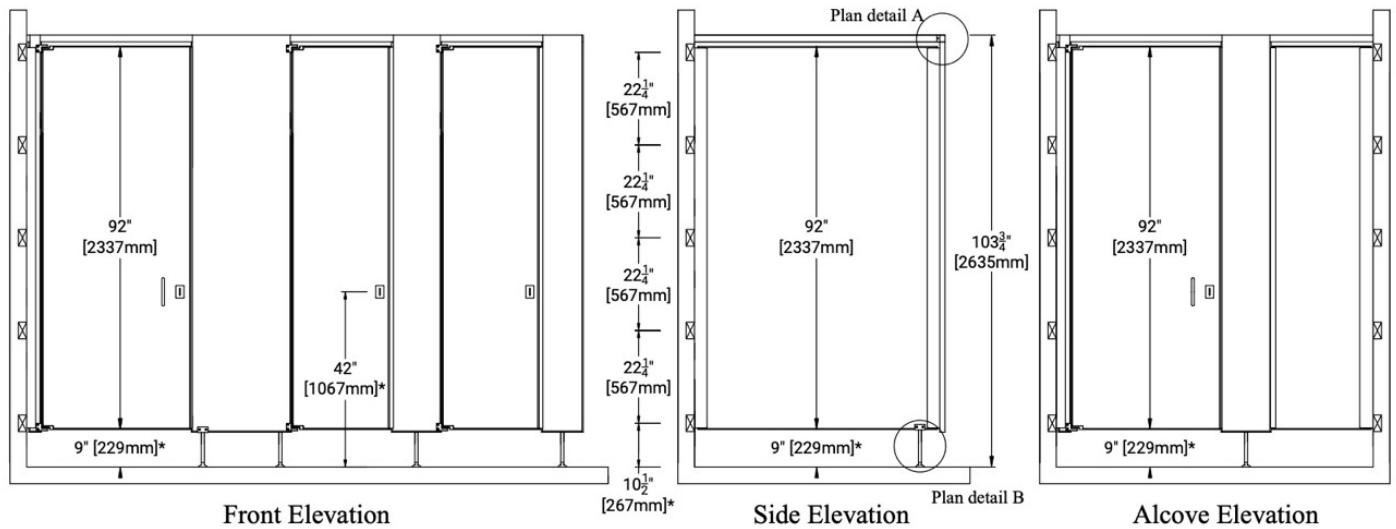
See material specifications for material and hardware finishes. *Above finish floor dimensions may vary due to floor level and door cam position.

Metal Toilet Partitions

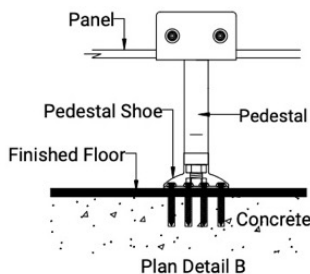
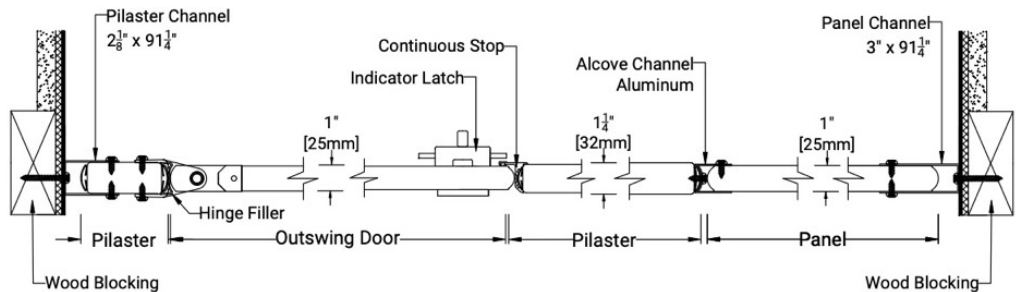
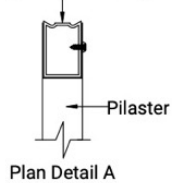
Elite Max Series - Headrail Braced Pedestal Mounted - 9" [229mm] AFF

Chrome Hardware - Indicator Latch & Wrap Hinge

Channels - Continuous Stops & Hinge Fillers



1" [25mm] x 1 5/8" [41mm] extruded anodized aluminum anti-grip Headrail. Headrail sits 1/8" [3mm] above pilaster.



Important Notes:

Refer to final drawings for wood blocking information. Wood blocking is critical to ensure a rigid installation.

See material specifications for material and hardware finishes. *Above finish floor dimensions may vary due to floor level and door cam position.