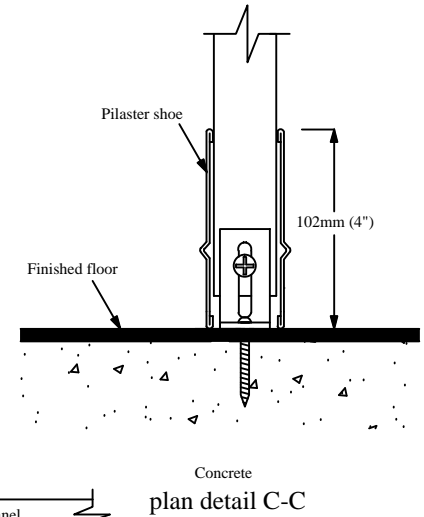
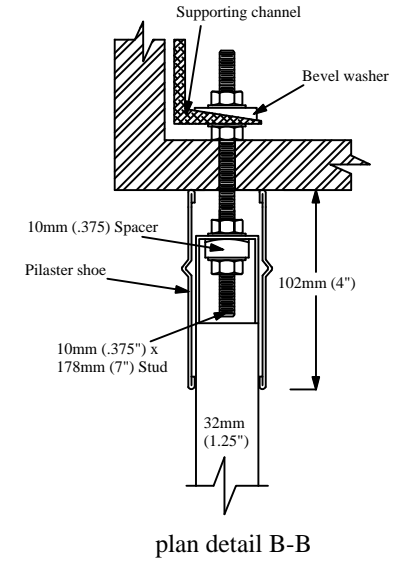
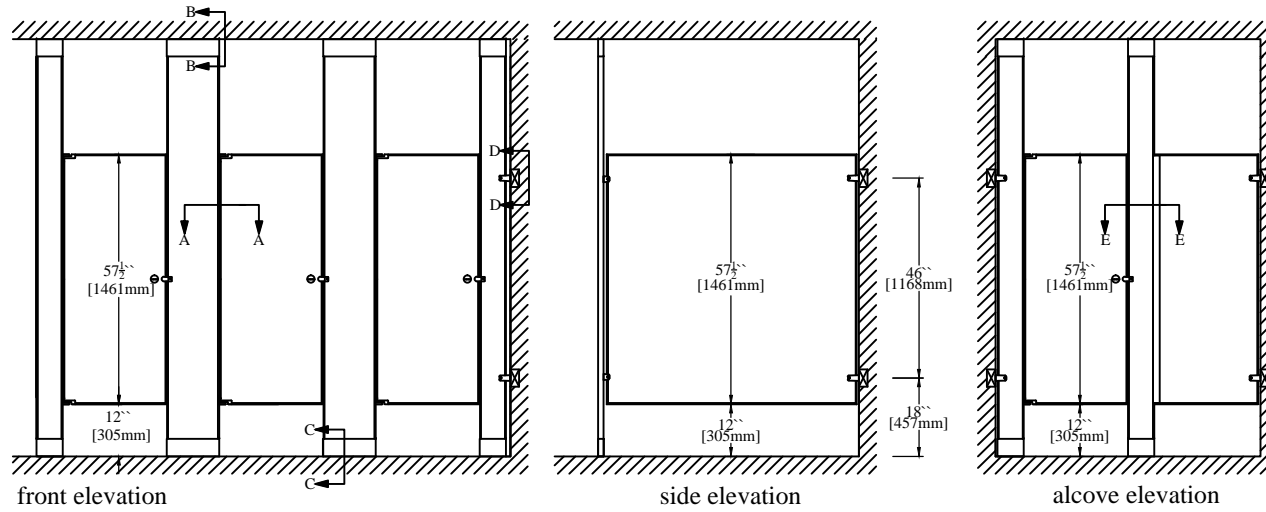


hadrian® STANDARD - Powder Coated Toilet Partitions - Floor to Ceiling



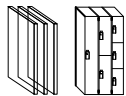
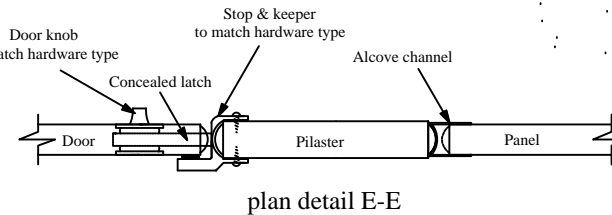
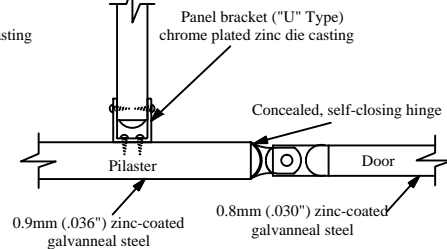
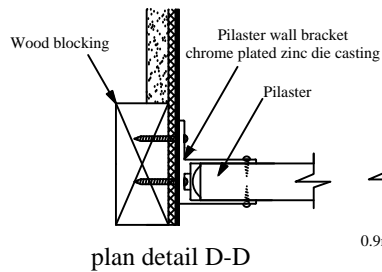
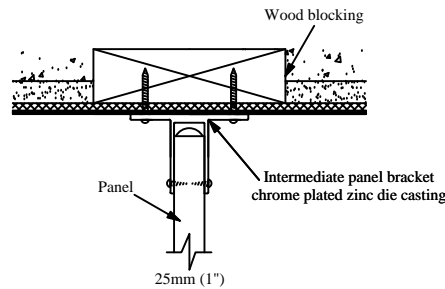
Important Notes:

Structural steel or pre-cast concrete as support in ceiling.
Structural support and drilling for studs by others. Studs available from Hadrian but installed by others.

Refer to final drawings for wood blocking information. Wood blocking is critical to ensure a rigid installation.

Hadrian supplied ceiling studs MUST be used to create a secure installation.

Maximum recommended floor to ceiling distance: 3099mm (122")



Hadrian Manufacturing Inc.

Hadrian Inc.,

www.hadrian-inc.com

965 Syscon Road, Burlington, ON, Canada, L7L 5S3

7420 Clover Avenue, Mentor, OH, U.S.A., 44060

Tel: (905) 333-0300

Tel: (440) 942-9118

Fax (905) 333-1841

Fax (440) 942-9618