



**Embossed Stainless Steel - Headrail Braced**  
**ELITE PLUS SERIES**  
**Metal Toilet Partitions**

**Material Specification**

**1 . 0 1 Construction**

Doors, Panels and Pilasters shall be constructed of two sheets of type 304, Embossed stainless steel with SWL® pattern, laminated under pressure to a "vertice" honeycomb core for impact resistance, rigidity and sound deadening. Honeycomb to be of virgin, long fiber paper with a maximum 13mm (0.5") cell size. Formed edges to be welded together and interlocked, under tension, with a roll-formed oval crown stainless steel locking bar, mitred, welded and ground smooth at the corners.

**1 . 0 2 Doors**

Shall be 1829mm (72") high and 25mm (1") thick with cover sheets not less than 0.8mm (.030").

**1 . 0 3 Panels**

Shall be 1829mm (72") high and 25mm (1") thick with cover sheets not less than 0.8mm (.030").

**1 . 0 4 Pilasters**

Shall be 32mm (1.25") thick with cover sheets not less than 0.8mm (.030").

**1 . 0 5 Headrail**

Shall be 25mm (1") by 41mm (1.625") extruded anodized aluminum with anti-grip design. Wall thickness to be 1.5mm (.060") and shall be securely attached to wall and pilasters with manufacturer's fittings in such a way as to make a strong and rigid installation. All joints in headrails shall be made at a pilaster.

**1 . 0 6 Pilaster Fastening Method**

Pilasters shall be securely and rigidly fastened to the floor and fitted with a jack levelling screw for vertical adjustment. The floor fastening shall be concealed and protected by a 102mm (4") high, die-formed stainless steel pilaster shoe.

**1 . 0 7 Hardware & Fittings**

All panel-to-wall, panel-to-pilaster and pilaster-to-wall connections shall be made with full height channels. Door hardware shall be chrome plated zinc die castings, standard. Fasteners are 12 x 1-3/4" and 12 x 5/8" TR-27 6-lobe security screws. Doors shall be equipped with a gravity type hinge mounted on the lower pilaster hinge bracket. Door hinges shall be the wrap around type and adjustable to permit the door to come to rest at any position when not latched. Each door to be fitted with a combined coat hook and bumper and a concealed latch, with face mortised flush with edge strip of door. A full height continuous stop and hinge side filler eliminate all sightline gaps between pilasters and doors. Threaded door top hinge pin shall have a metal core and self lubricating nylon sleeve to ensure smooth, quiet operation. Pilaster shoes shall be a welded one-piece design made from polished stainless steel. Two-piece shoes that can disassemble when kicked are unacceptable.

1) Stainless Steel Hardware Upcharge Option:

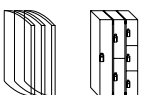
- All pilaster, panel and screen brackets are stamped stainless steel, #4 brushed finish.
- All door wrap around hinge brackets are cast stainless steel, #4 brushed finish.
- All 12 x 1-3/4" & 12 x 5/8" TR-27 6-lobe security screws are stainless steel, #4 brushed finish.
- All pilaster shoes are stainless steel, #4 brushed finish.
- All inner, barrier free inner, outer, door pulls, stop and keepers, coat hooks and door castings are standard zinc die castings, #4 brushed finish.
- All other components not outlined here are standard Hadrian hardware items.

2) #4 Brushed Aluminum Upcharge Option:

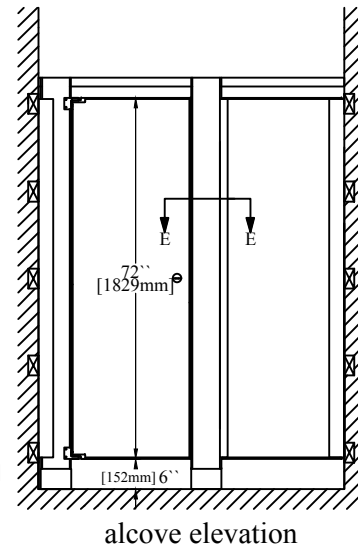
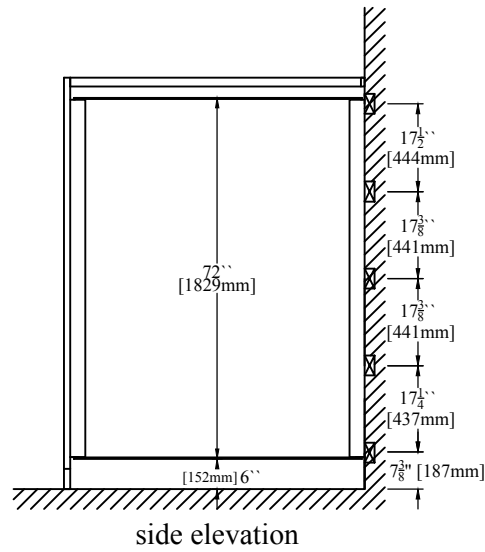
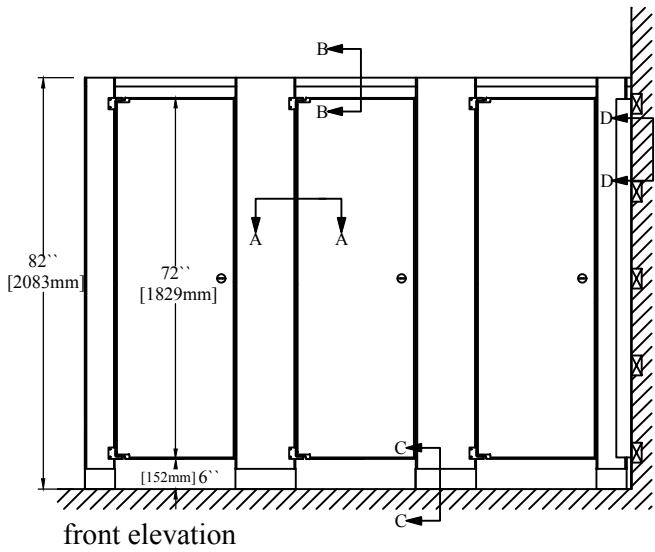
- Extruded aluminum headrail, alcove channels, continuous "no sightline" stop and hinge filler available in #4 brushed finish as an option.

**1 . 0 8 Finish**

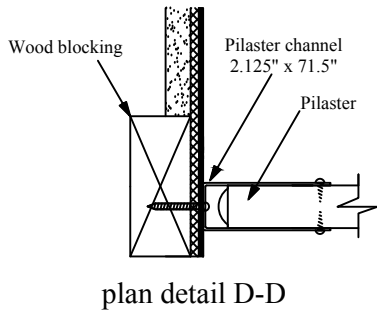
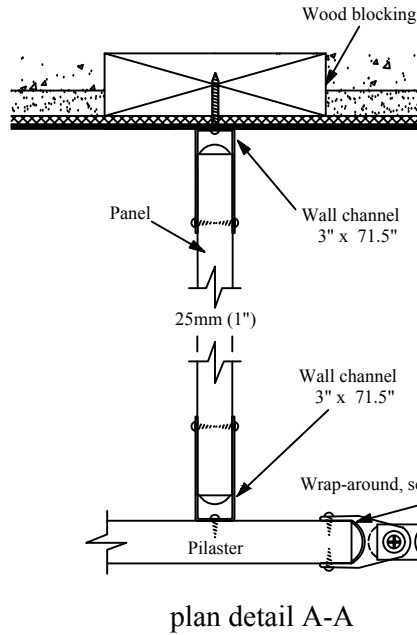
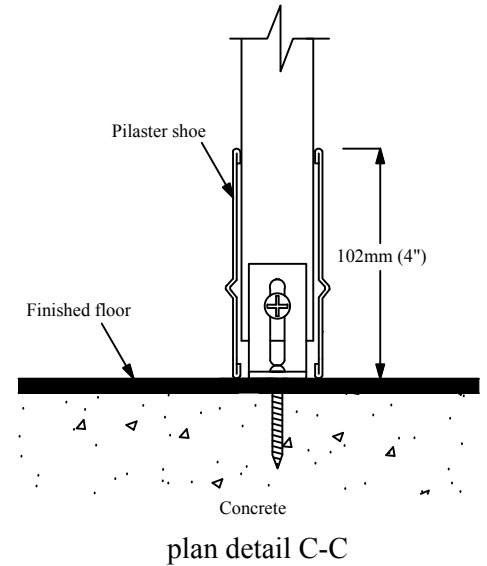
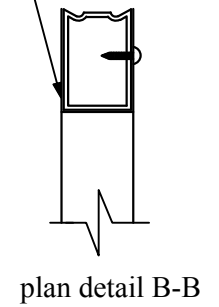
Type 304, Embossed stainless steel with SWL® pattern.



# hadrian<sup>®</sup> ELITE PLUS SERIES - Metal Toilet Partitions - Headrail Braced - 6" AFF

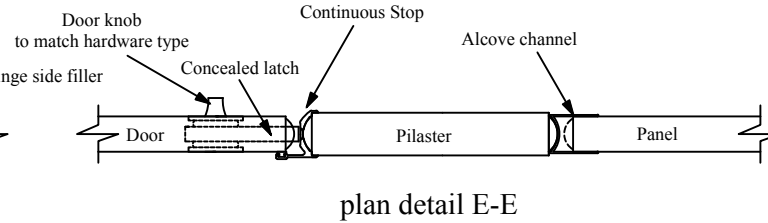


25mm (1") x 41mm (1.625")  
extruded anodized aluminum  
anti-grip headrail.



### Important Notes:

Refer to final drawings for wood blocking information.  
Wood blocking is critical to ensure a rigid installation.

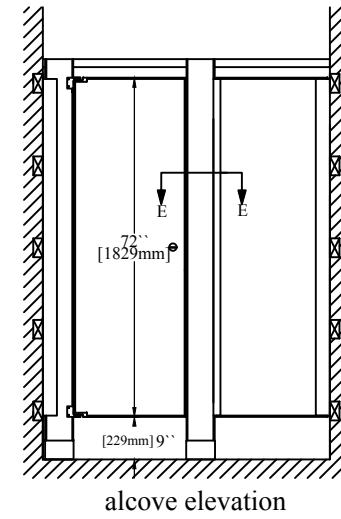
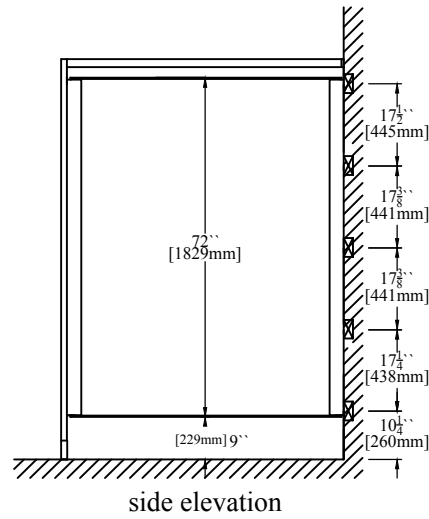
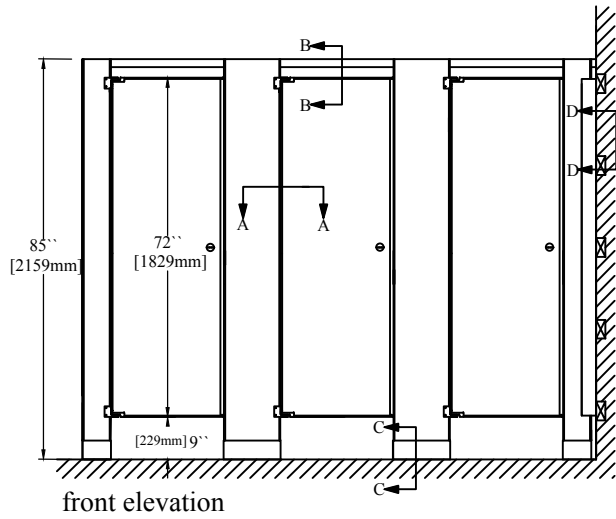


Hadrian Manufacturing Inc., 965 Syscon Road, Burlington, ON, L7L 5S3 • Tel: (905) 333-0300 • Fax: (905) 333-1841

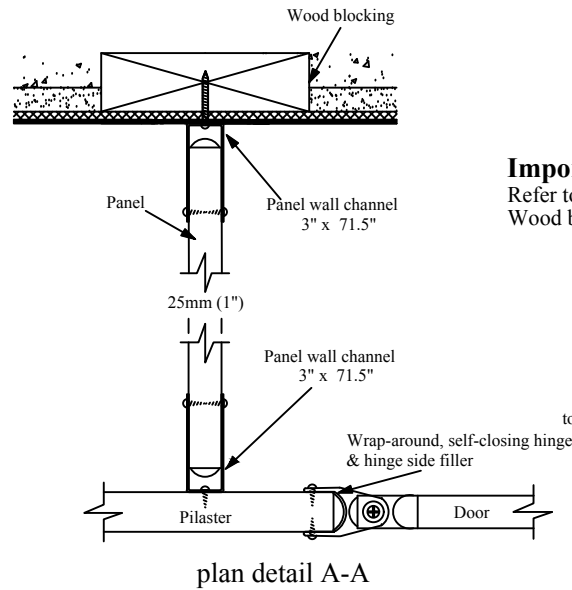
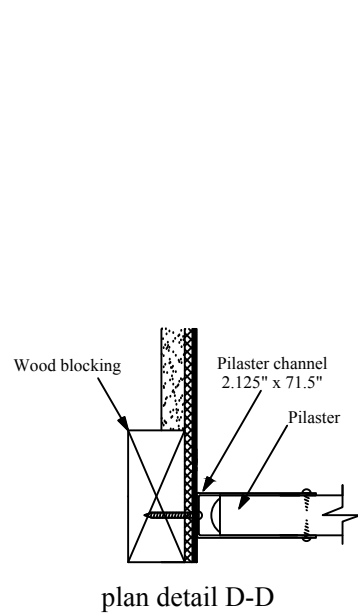
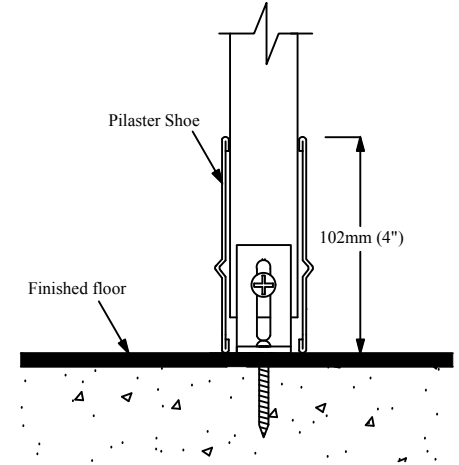
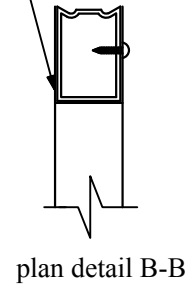
Hadrian Inc., 7420 Clover Avenue, Mentor, OH, 44060 • Tel: (440) 942-9118 • Fax: (440) 942-9618

Hadrian Inc., 3602 West Washington Street, Suite 200, Phoenix, AZ 85009 [www.hadrian-inc.com](http://www.hadrian-inc.com)

# hadrian<sup>®</sup> ELITE PLUS SERIES - Metal Toilet Partitions - Headrail Braced - 9" AFF

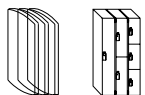
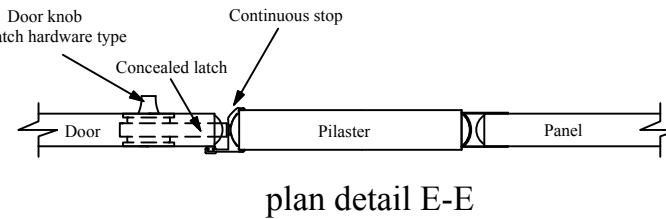


25mm (1") x 41mm (1.625")  
extruded anodized aluminum  
anti-grip headrail.



### Important Notes:

Refer to final drawings for wood blocking information.  
Wood blocking is critical to ensure a rigid installation



Hadrian Manufacturing Inc., 965 Syscon Road, Burlington, ON, L7L 5S3 • Tel: (905) 333-0300 • Fax: (905) 333-1841

Hadrian Inc., 7420 Clover Avenue, Mentor, OH, 44060 • Tel: (440) 942-9118 • Fax: (440) 942-9618

Hadrian Inc., 3602 West Washington Street, Suite 200, Phoenix, AZ 85009 [www.hadrian-inc.com](http://www.hadrian-inc.com)