

Powder Coated - Headrail Braced ELITE PLUS SERIES Metal Toilet Partitions

Material Specification

1 . 0 1

Construction

Doors, Panels and Pilasters shall be constructed of two sheets of panel flatness zinc-coated galvanized steel, ASTM A653 GR33, laminated under pressure to a honeycomb core for sound deadening and rigidity. Formed edges to be welded together and interlocked under tension with a roll-formed oval crown locking bar, mitred, welded and ground smooth at the corners. Honeycomb to have a maximum 25mm (1") cell size.

1 . 0 2

Doors

Shall be 1829mm (72") high and 25mm (1") thick with cover sheets not less than 0.8mm (.030").

1 . 0 3

Panels

Shall be 1829mm (72") high and 25mm (1") thick with cover sheets not less than 0.8mm (.030").

1 . 0 4

Pilasters

Shall be 32mm (1.25") thick with cover sheets not less than 0.9mm (.036").

1 . 0 5

Headrail

Shall be 25mm (1") by 41mm (1.625") extruded anodized aluminum with anti-grip design. Wall thickness to be 1.5mm (.060") and shall be securely attached to wall and pilasters with manufacturer's fittings in such a way as to make a strong and rigid installation. All joints in headrails shall be made at a pilaster.

1 . 0 6

Pilaster Fastening Method

Pilasters shall be securely and rigidly fastened to the floor and fitted with a jack levelling screw for vertical adjustment. The floor fastening shall be concealed and protected by a 102mm (4") high, die-formed stainless steel pilaster shoe.

1 . 0 7

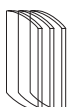
Hardware & Fittings

All panel-to-wall, panel-to-pilaster and pilaster-to-wall connections shall be made with full height channels. Door hardware shall be chrome plated zinc die castings, standard. Fasteners are zinc plated 12 x 1-3/4" and 12 x 5/8" TR-27 6-lobe security screws. Doors shall be equipped with gravity type hinges mounted on upper and lower pilaster hinge brackets. Door hinges shall be wrap-around style and adjustable to permit the door to come to rest at any position when not latched. Threaded upper hinge pin shall have a metal core and self lubricating nylon sleeve to ensure smooth, quiet operation. Each door to be fitted with a combined coat hook and bumper and a concealed latch, with face mortised flush with edge strip of door. A full length continuous stop and hinge side filler eliminate all sightline gaps between pilasters and doors.

1 . 0 8

Finish

All sheet metal to be thoroughly cleaned, phosphated and finished with a high performance powder coating, baked on to provide a uniform smooth protective finish. Color shall be as selected from Hadrian's color card.



Hadrian Manufacturing Inc.,

965 Syscon Road, Burlington, ON, Canada, L7L 5S3

• Tel: (905) 333-0300

• Fax: (905) 333-1841

Hadrian Inc.,

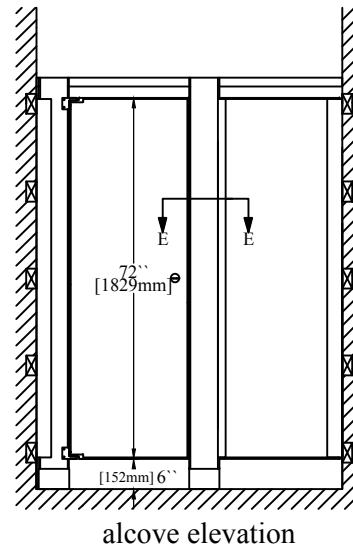
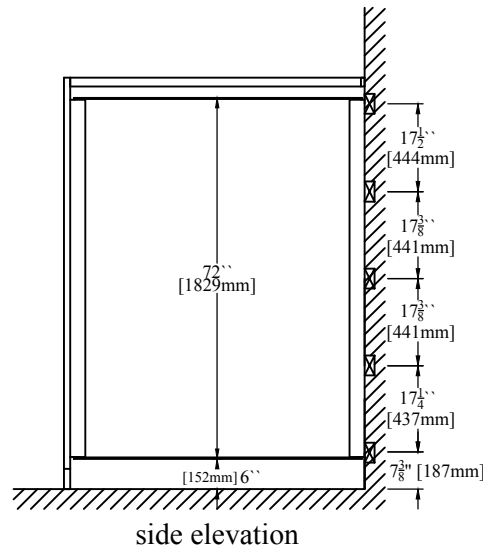
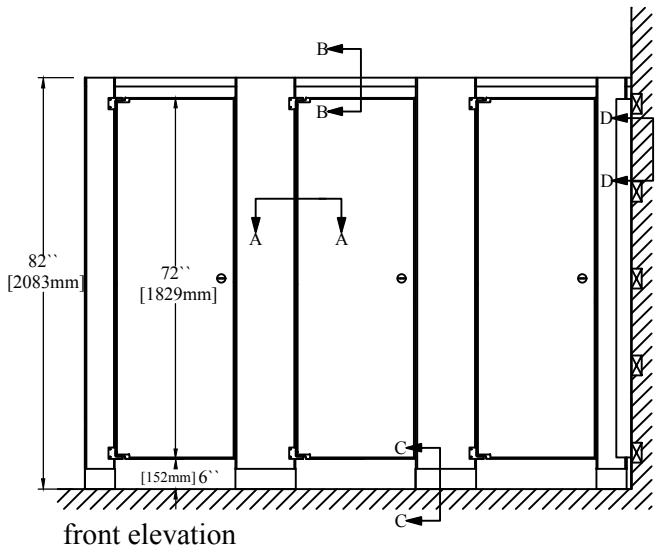
7420 Clover Avenue, Mentor, OH, U.S.A., 44060

• Tel: (440) 942-9118

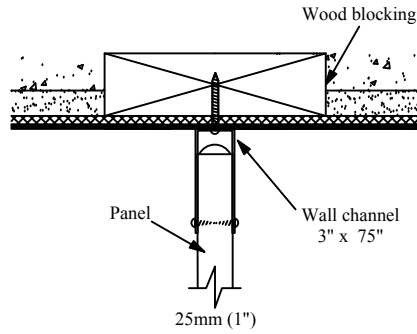
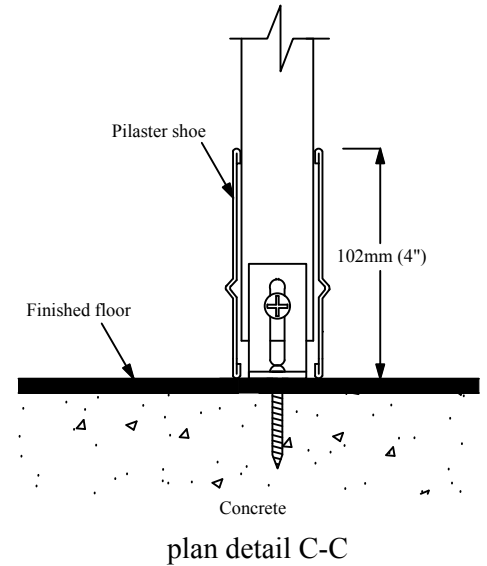
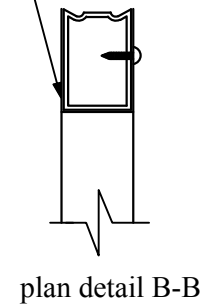
• Fax: (440) 942-9618

www.hadrian-inc.com

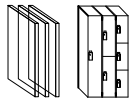
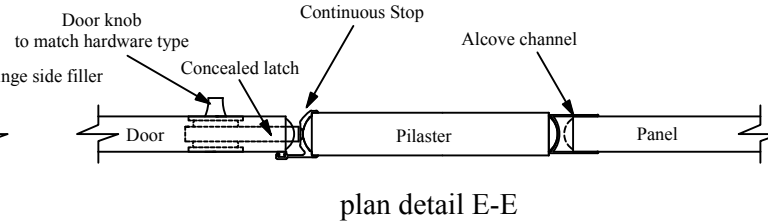
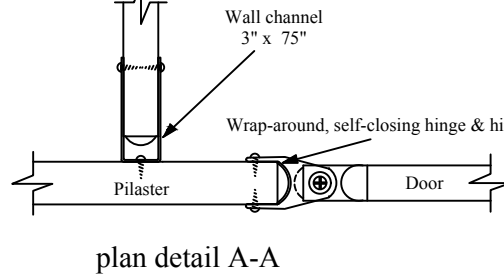
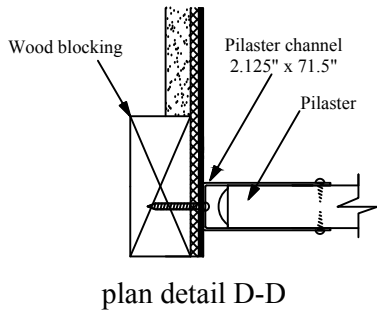
hadrian[®] ELITE PLUS SERIES - Metal Toilet Partitions - Headrail Braced - 6" AFF



25mm (1") x 41mm (1.625")
extruded anodized aluminum
anti-grip headrail.



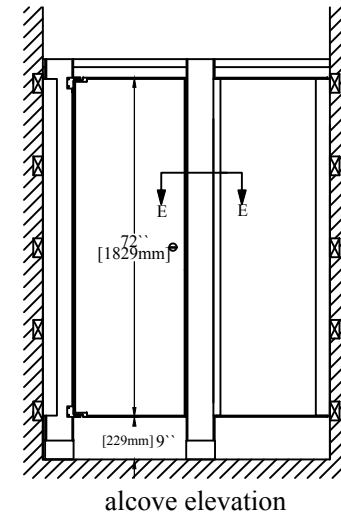
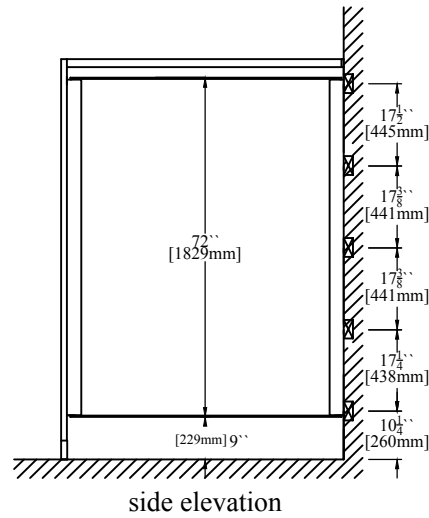
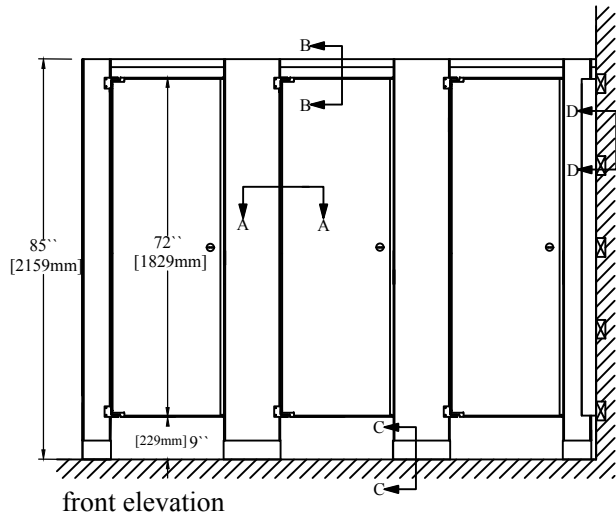
Important Notes:
Refer to final drawings for wood blocking information.
Wood blocking is critical to ensure a rigid installation.



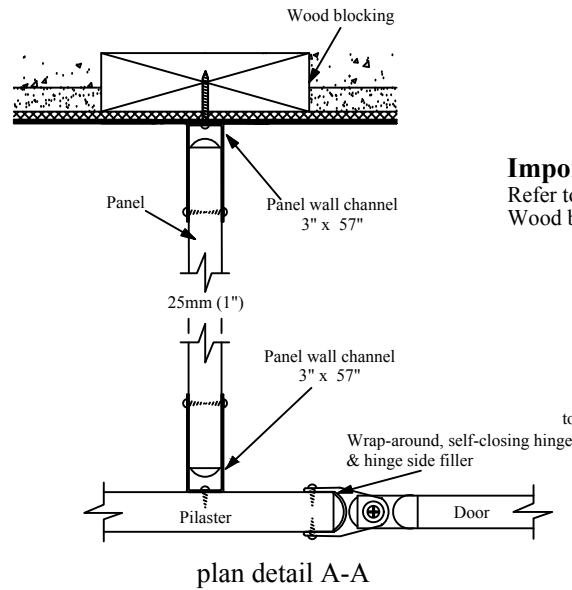
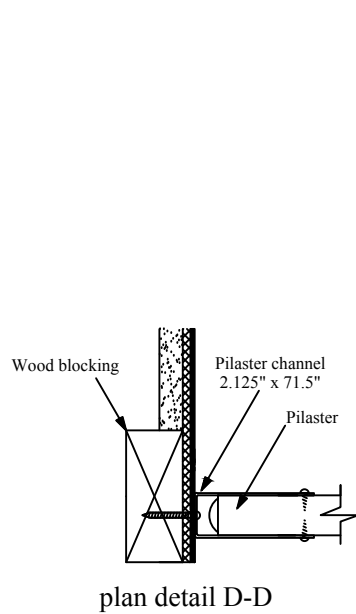
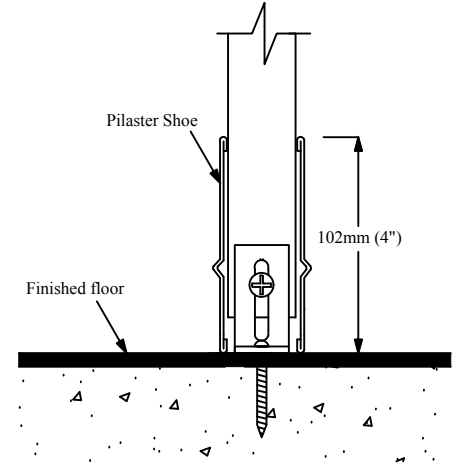
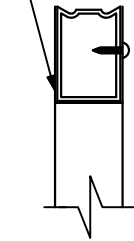
Hadrian Manufacturing Inc.
Hadrian Inc.,
www.hadrian-inc.com

965 Syscon Road, Burlington, ON, Canada, L7L 5S3 • Tel: (905) 333-0300 • Fax (905) 333-1841
7420 Clover Avenue, Mentor, OH, U.S.A., 44060 • Tel: (440) 942-9118 • Fax (440) 942-9618

hadrian[®] ELITE PLUS SERIES - Metal Toilet Partitions - Headrail Braced - 9" AFF

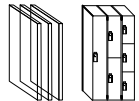
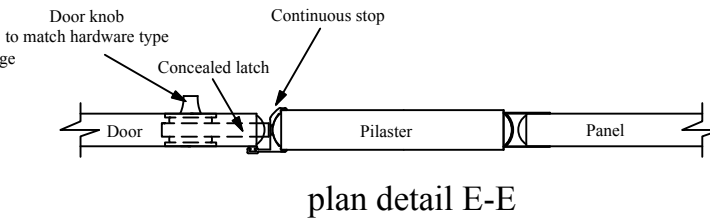


25mm (1") x 41mm (1.625")
extruded anodized aluminum
anti-grip headrail.



Important Notes:

Refer to final drawings for wood blocking information.
Wood blocking is critical to ensure a rigid installation



Hadrian Manufacturing Inc.
Hadrian Inc.,
www.hadrian-inc.com

965 Syscon Road, Burlington, ON, Canada, L7L 5S3
7420 Clover Avenue, Mentor, OH, U.S.A., 44060

• Tel: (905) 333-0300 • Fax (905) 333-1841
• Tel: (440) 942-9118 • Fax (440) 942-9618