

Embossed Stainless Steel - Headrail Braced ELITE MAX SERIES Metal Toilet Partitions

Material Specification

1 . 0 1 **Construction**

Doors, Panels and Pilasters shall be constructed of two sheets of type 304, Embossed stainless steel with 5WL® pattern, laminated under pressure to a "verticel" honeycomb core for impact resistance, rigidity and sound deadening. Honeycomb to be of virgin, long fiber paper with a maximum 13mm (0.5") cell size. Formed edges to be welded together and interlocked, under tension, with a roll-formed oval crown stainless steel locking bar, mitred, welded and ground smooth at the corners.

1 . 0 2 **Doors**

Shall be between 1854mm (73") - 2336mm (92") high and 25mm (1") thick with cover sheets not less than 0.8mm (.030").

1 . 0 3 **Panels**

Shall be 1854mm (73") - 2336mm (92") high, with a maximum panel width of 1461mm (57-1/2") and 25mm (1") thick with cover sheets not less than 0.8mm (.030").

1 . 0 4 **Pilasters**

Shall be 32mm (1.25") thick with cover sheets not less than 0.9mm (.036").

1 . 0 5 **Headrail**

Shall be 25mm (1") by 41mm (1-5/8") extruded anodized aluminum with anti-grip design. Wall thickness to be 1.5mm (1/16") and shall be securely attached to wall and pilasters with manufacturer's fittings in such a way as to make a strong and rigid installation. All joints in headrails shall be made at a pilaster.

1 . 0 6 **Floor Fastening Method**

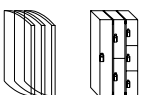
Pilasters shall be securely and rigidly fastened to the floor and fitted with a jack levelling screw for vertical adjustment. The floor fastening shall be concealed and protected by a 102mm (4") high, die-formed stainless steel pilaster shoe or #4 brushed stainless steel pedestal, mounted panel-to-floor with a panel.

1 . 0 7 **Hardware & Fittings**

Panel-to-pilaster, panel-to-wall, and pilaster-to-wall connections are made with full-height channels, finished to match partitions. A full length aluminum continuous stop and full length aluminum hingeside filler eliminate all sightline gaps between pilasters and doors. Fasteners are #4 brush finished stainless steel 12 x 1-3/4" and 12 x 5/8" TR-27 6-lobe security screws. Each door to be provided with an occupancy Indicator latch #4 brushed stainless steel. Doors shall be equipped with gravity type hinges mounted on upper and lower pilaster hinge brackets. Threaded top hinge pin shall be metal with a self-lubricating nylon sleeve. Door hinges shall be wrap-around style and adjustable to permit the door to come to rest at any position when not latched. Each door to be fitted with a combined #4 brushed finished coat hook and bumper.

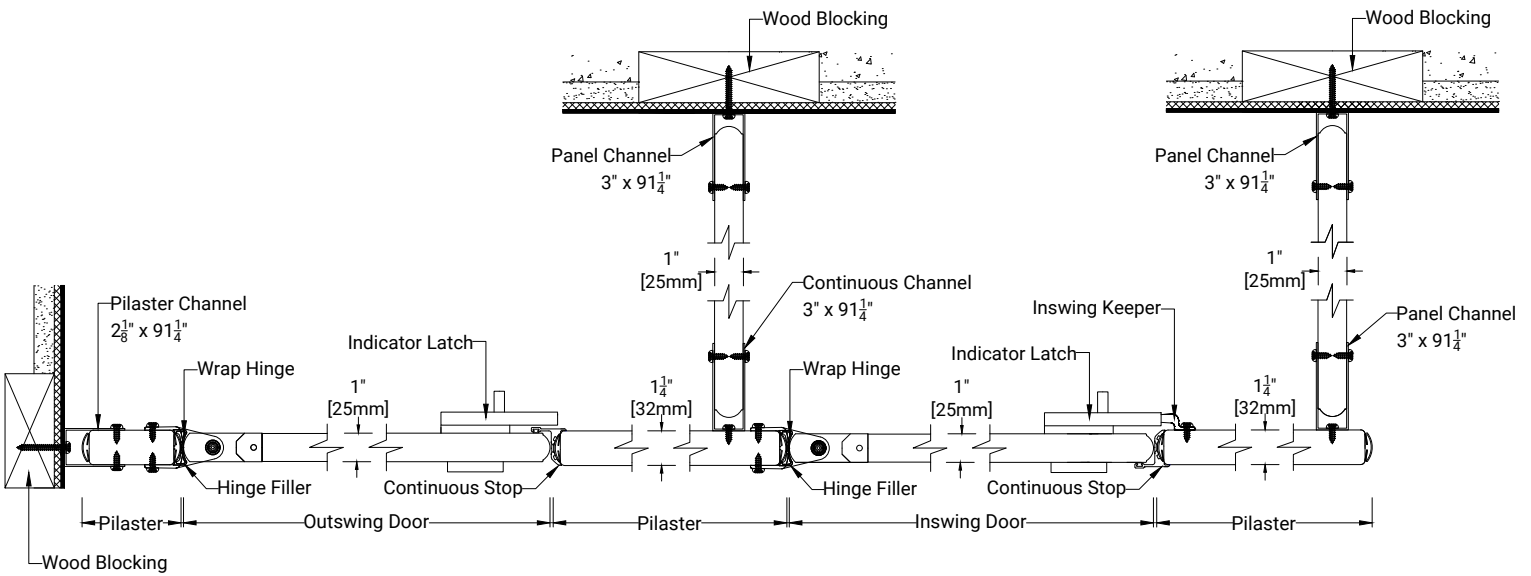
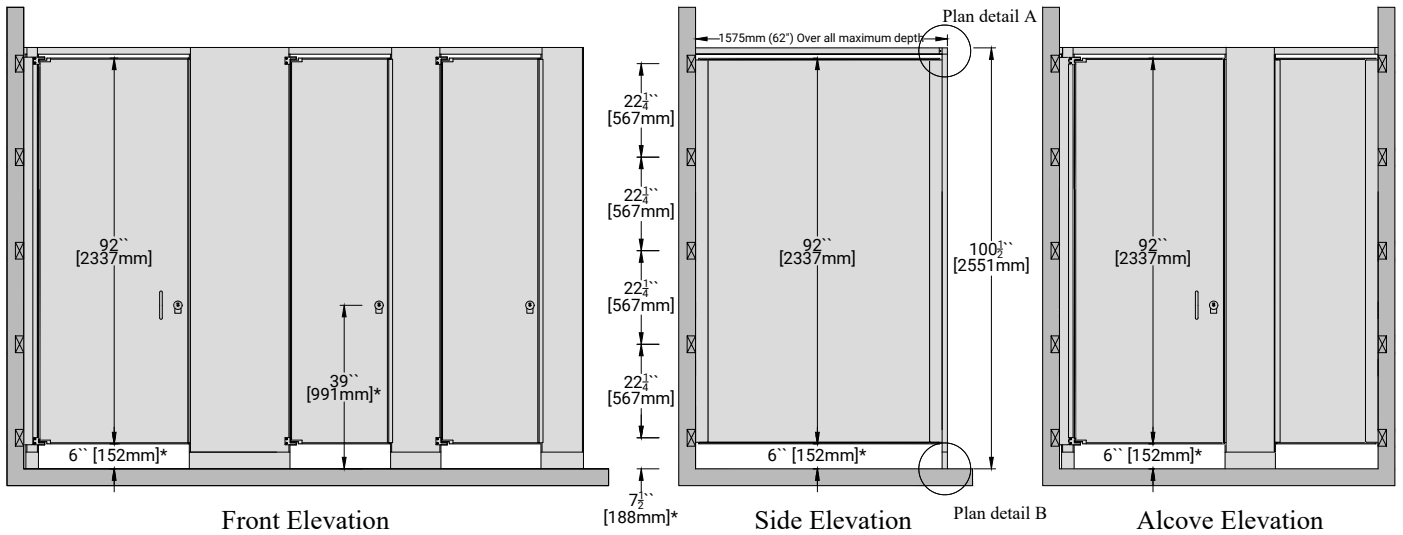
1 . 0 8 **Finish**

All sheet metal to be thoroughly cleaned, phosphated and finished with a high performance powder coating, baked on to provide a uniform smooth protective finish. Color shall be as selected from Hadrian's color card.

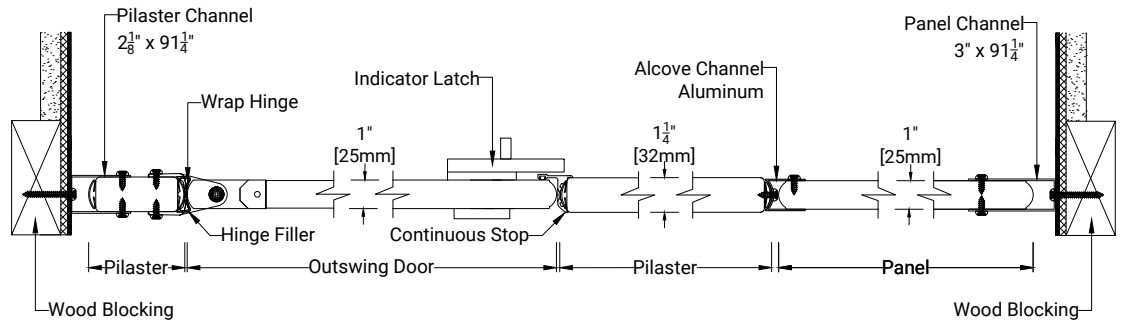
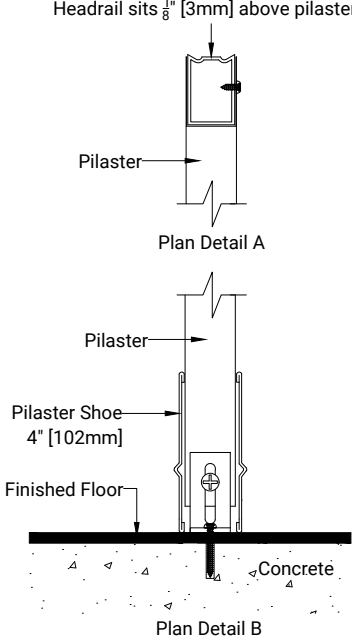


Metal Toilet Partitions

Elite Max Series - Headrail Braced



1" [25mm] x 1 5/8" [41mm] extruded anodized aluminum anti-grip headrail. Headrail sits 1/8" [3mm] above pilaster.



Important Notes:

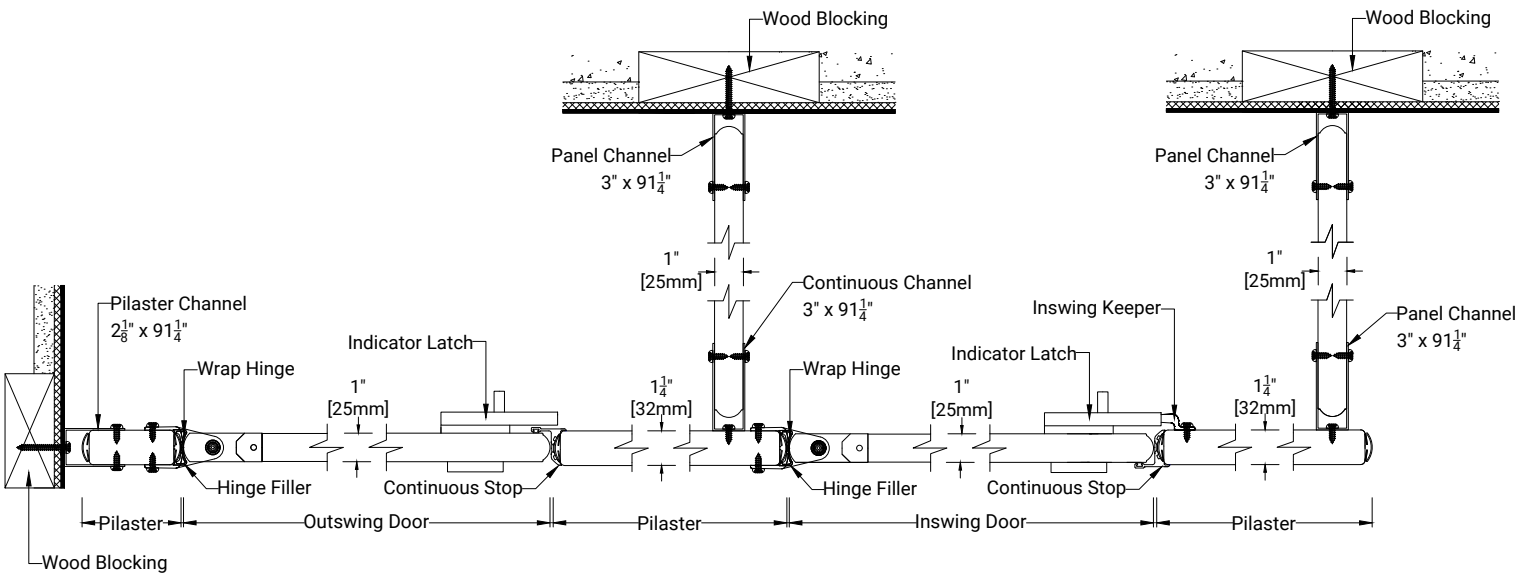
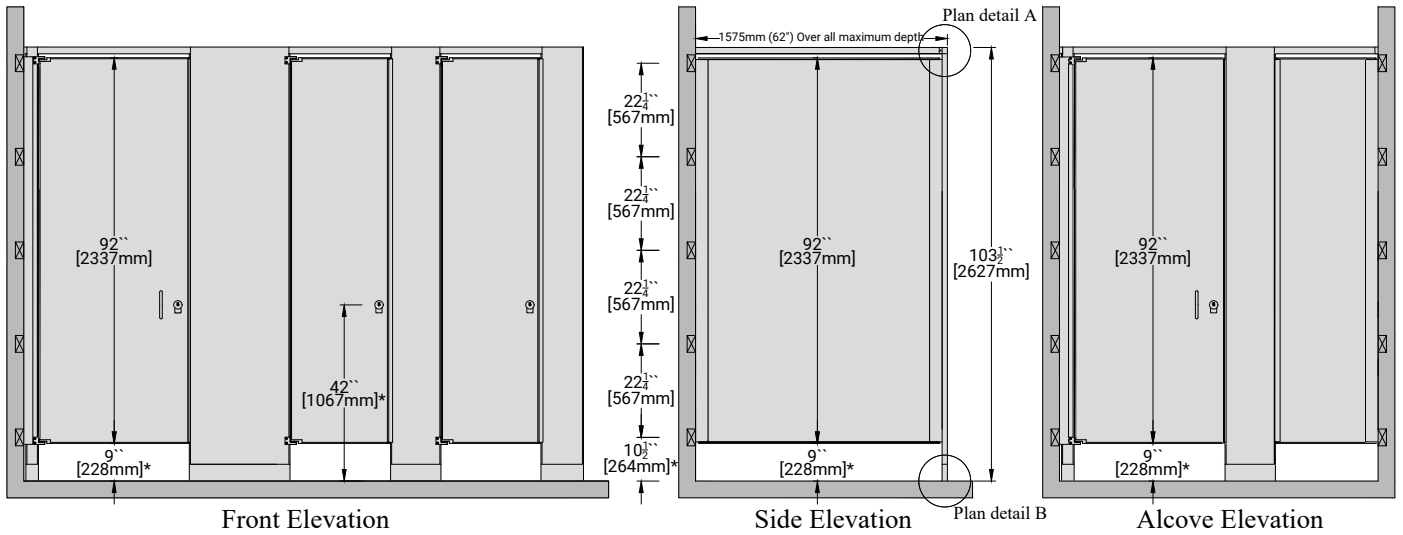
Refer to final drawings for wood blocking information. Wood blocking is critical to ensure a rigid installation.

See material specifications for material and hardware finishes.

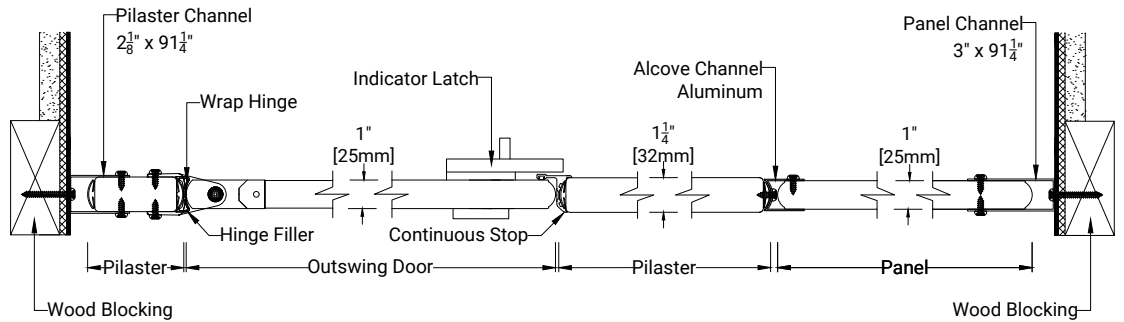
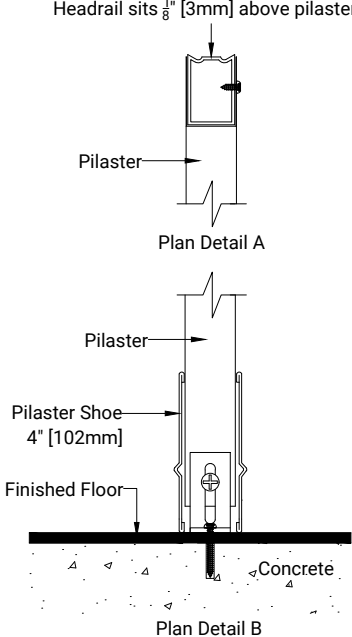
*Above finish floor dimensions may vary due to floor level and door cam position.

Metal Toilet Partitions

Elite Max Series - Headrail Braced



1" [25mm] x 1 5/8" [41mm] extruded anodized aluminum anti-grip headrail. Headrail sits 1/8" [3mm] above pilaster.



Important Notes:

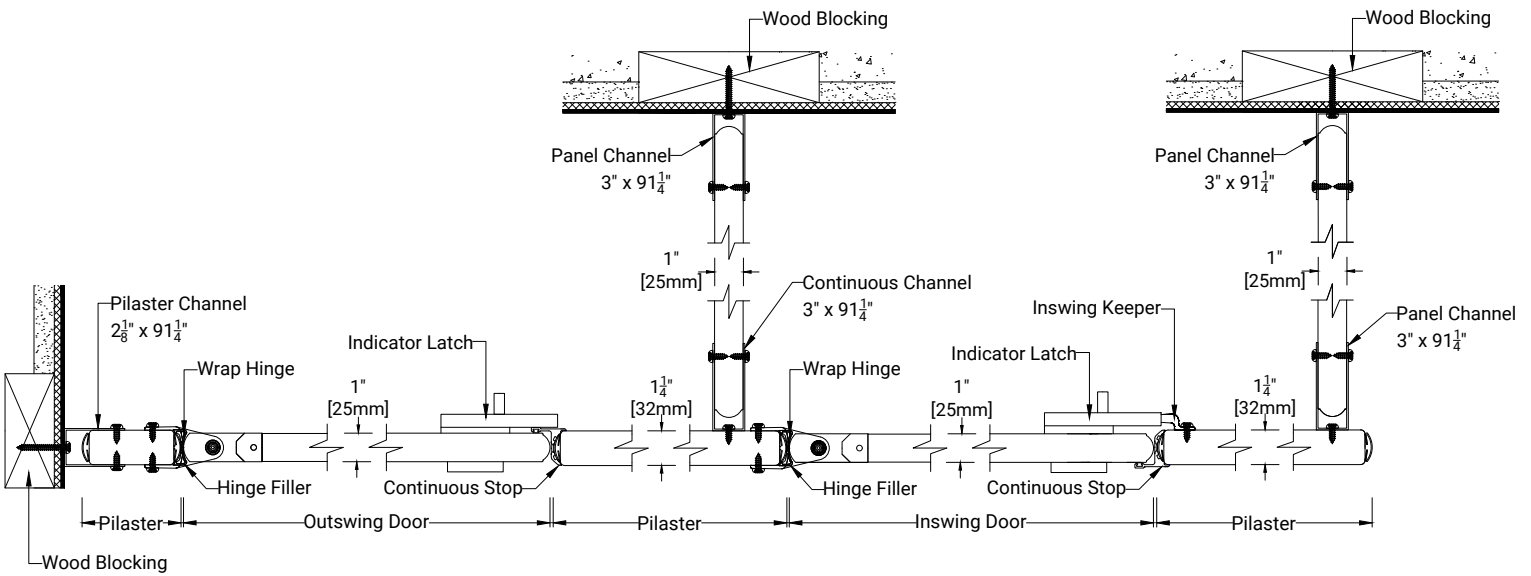
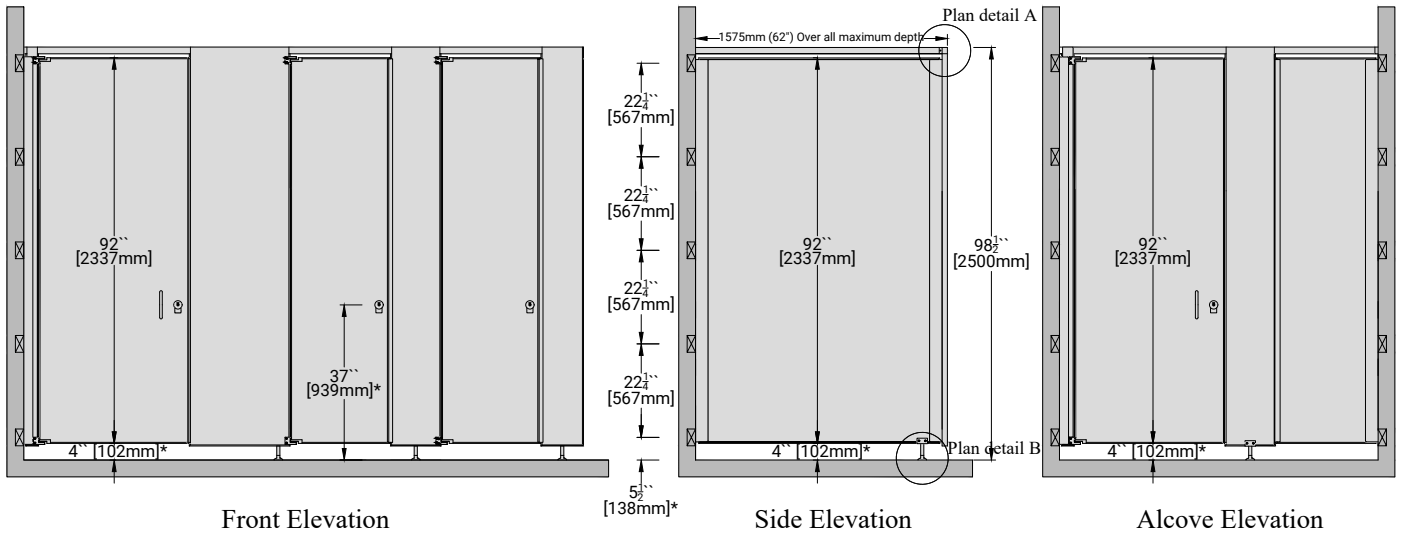
Refer to final drawings for wood blocking information. Wood blocking is critical to ensure a rigid installation.

See material specifications for material and hardware finishes.

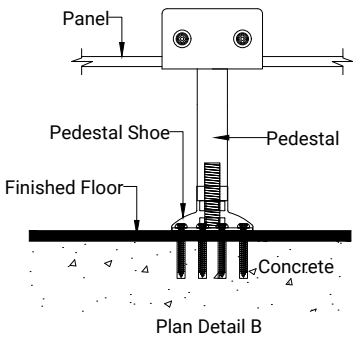
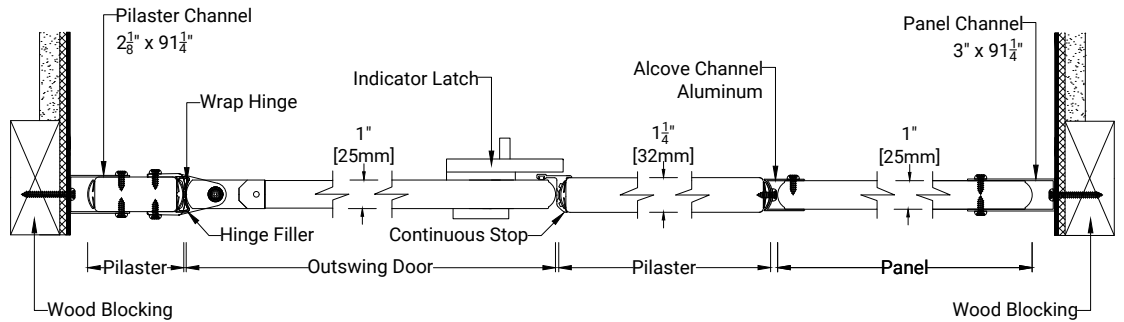
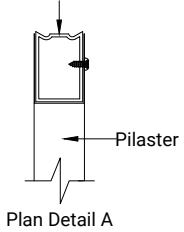
*Above finish floor dimensions may vary due to floor level and door cam position.

Metal Toilet Partitions

Elite Max Series - Pedestal Mounted Headrail Braced



1" [25mm] x 1 5/8" [41mm] extruded anodized aluminum anti-grip headrail. Headrail sits 1/8" [3mm] above pilaster.



Important Notes:

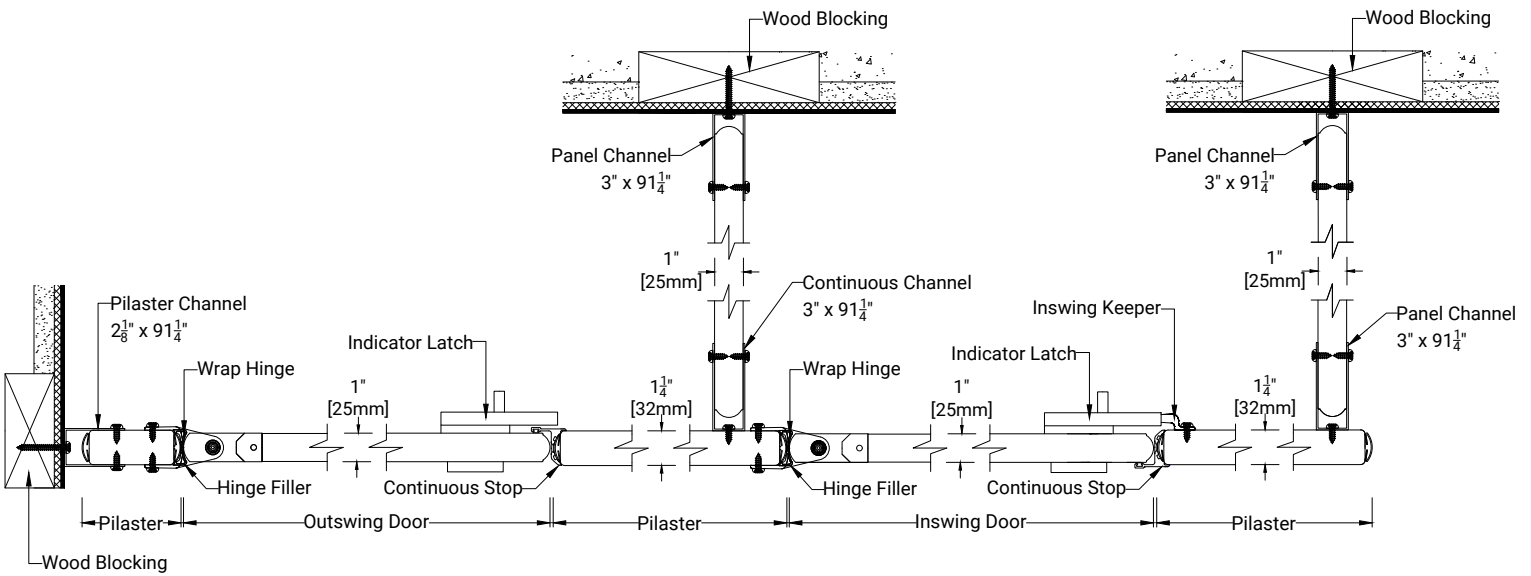
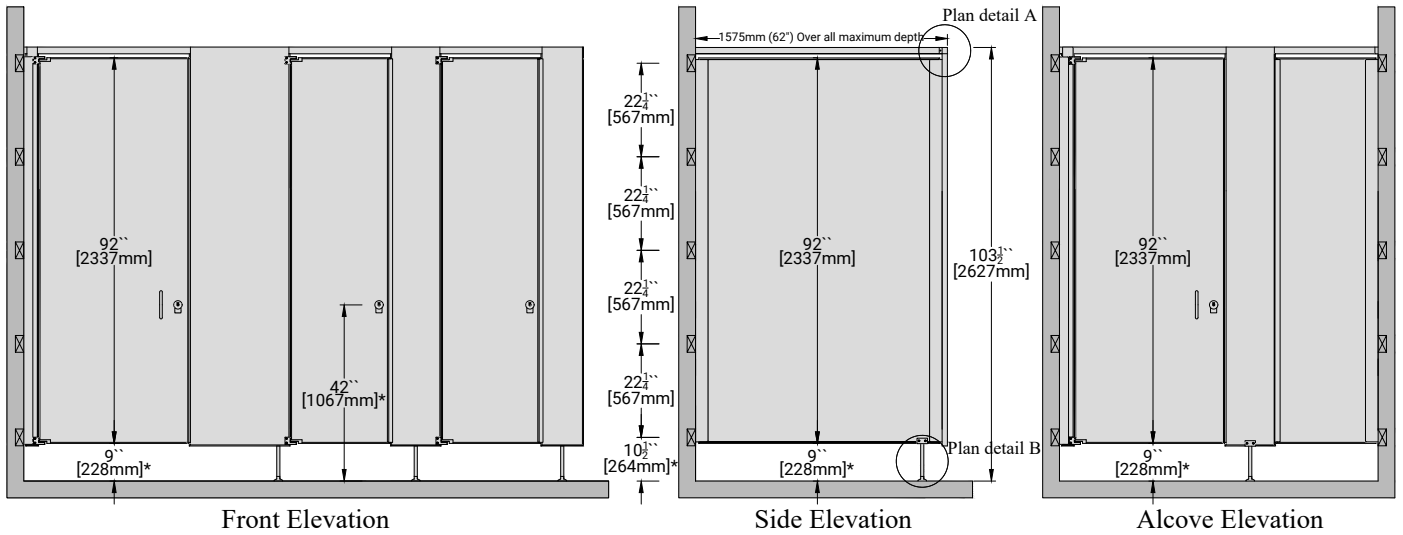
Refer to final drawings for wood blocking information. Wood blocking is critical to ensure a rigid installation.

See material specifications for material and hardware finishes.

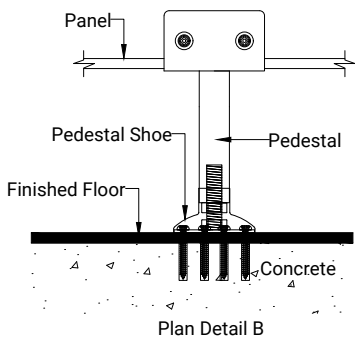
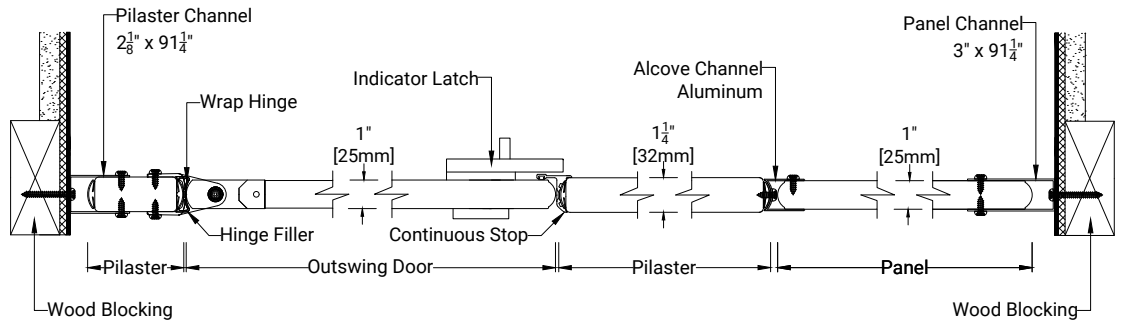
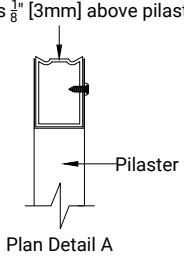
*Above finish floor dimensions may vary due to floor level and door cam position.

Metal Toilet Partitions

Elite Max Series - Pedestal Mounted Headrail Braced



1" [25mm] x 1 5/8" [41mm] extruded anodized aluminum anti-grip headrail. Headrail sits 1/8" [3mm] above pilaster.



Important Notes:

Refer to final drawings for wood blocking information. Wood blocking is critical to ensure a rigid installation.

See material specifications for material and hardware finishes.

*Above finish floor dimensions may vary due to floor level and door cam position.